

HIGH QUALITY  
MADE IN GERMANY



## Table of Contents

1. Packaging content warning/accessories	3
2. Installing D5 and DDC pump	4
3. Configuration with 2 radiators	6
4. Flow Diagram	8
5. Installing the Distrobution Plate	9
6. Dimensions in millimeter (mm) with D5 Pump	10
7. Mounting holes Dimensions	11
8. Connecting the D-RGB LED strip	12
9. Installing the connections	12
10. Cleaning & care	12
11. Support and service	13


**1. PACKAGING CONTENT WARNING**

This product is intended for advanced users. Improper installation may result in damage to your equipment. While every effort has been made to provide the most comprehensive information possible, Stealkey Customs assumes no liability, express or implied, for damage to your components resulting from the use of Stealkey Customs cooling products, whether due to errors or omissions on our part in the instructions below, or due to errors or defects in Stealkey Customs cooling products. Do not disassemble the water block. Doing so will void the warranty. Turn off your system and discharge your body's static charge before proceeding with the installation. If you do not feel comfortable performing the installation procedure, contact a qualified computer technician.

**Mounting screws**

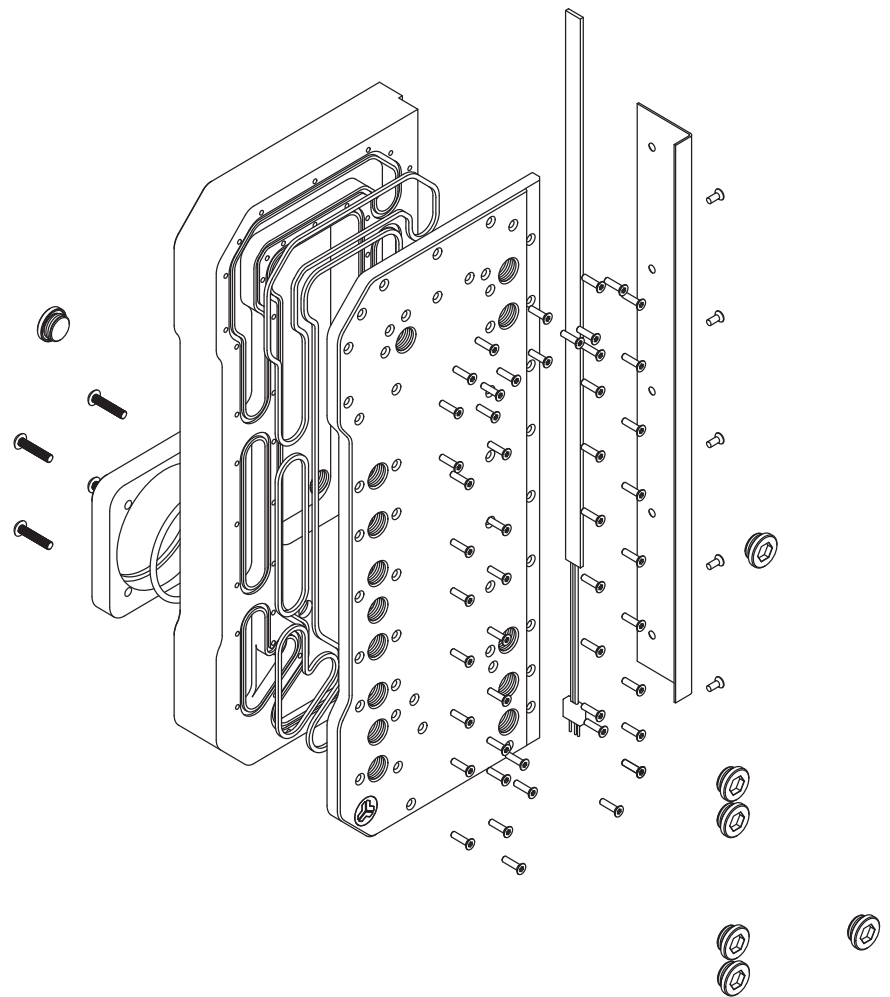
8x M4 x 6 mm

**RGB cable**

 1x D-RGB 3pin  
(500mm cable)

**Plugs**

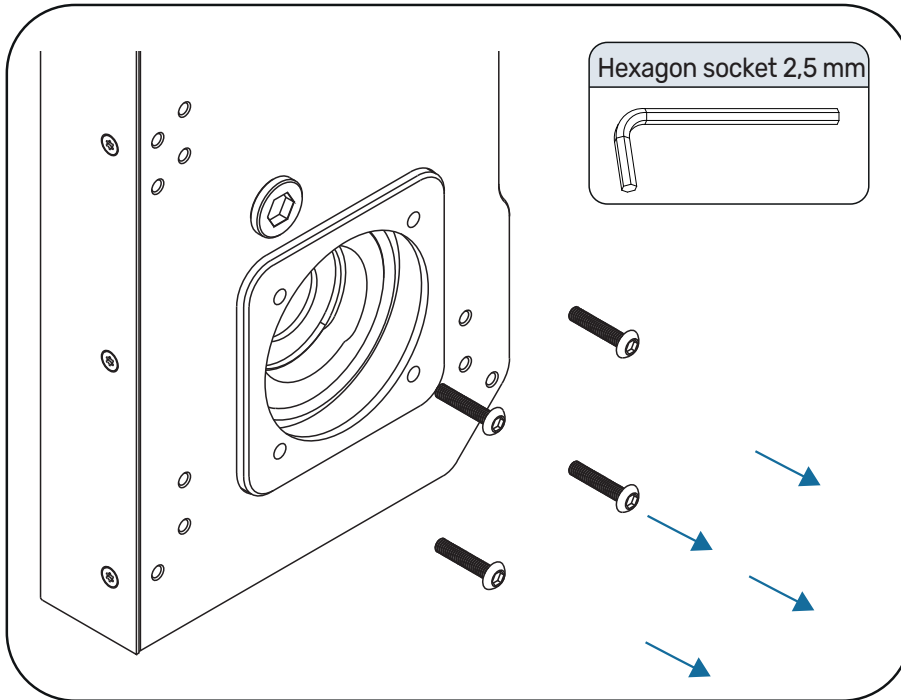
7x G1/4 Plugs

**Crossflow II included pump seal and D5 ring**


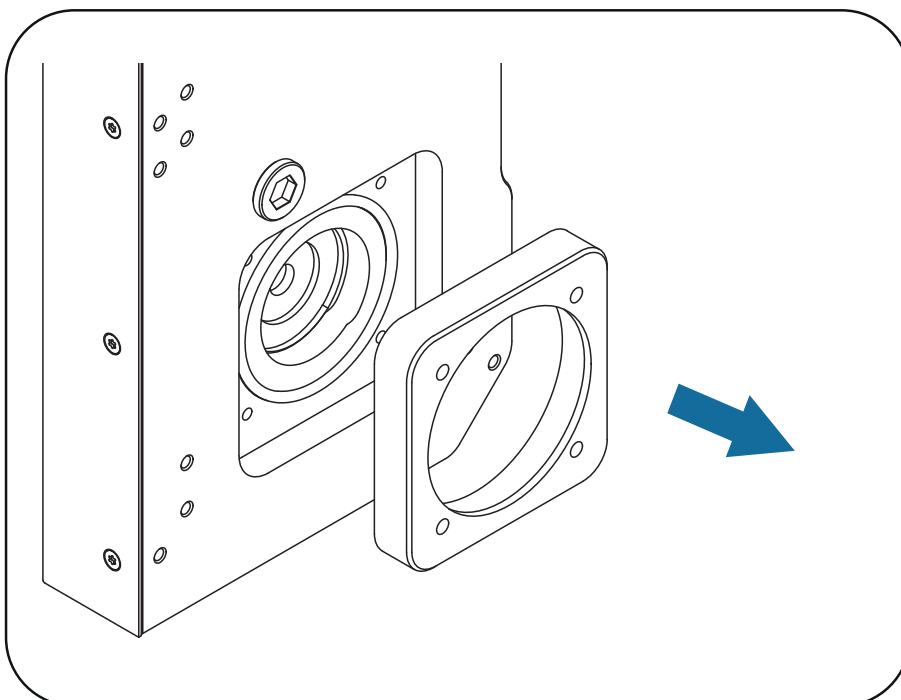


## 2. Installing D5 and DDC pump

**Step 1:** Remove the 4 x M4 x 20 mm screws (2,5 mm hexagon socket). Set the screws aside as they will be needed to secure the pump.

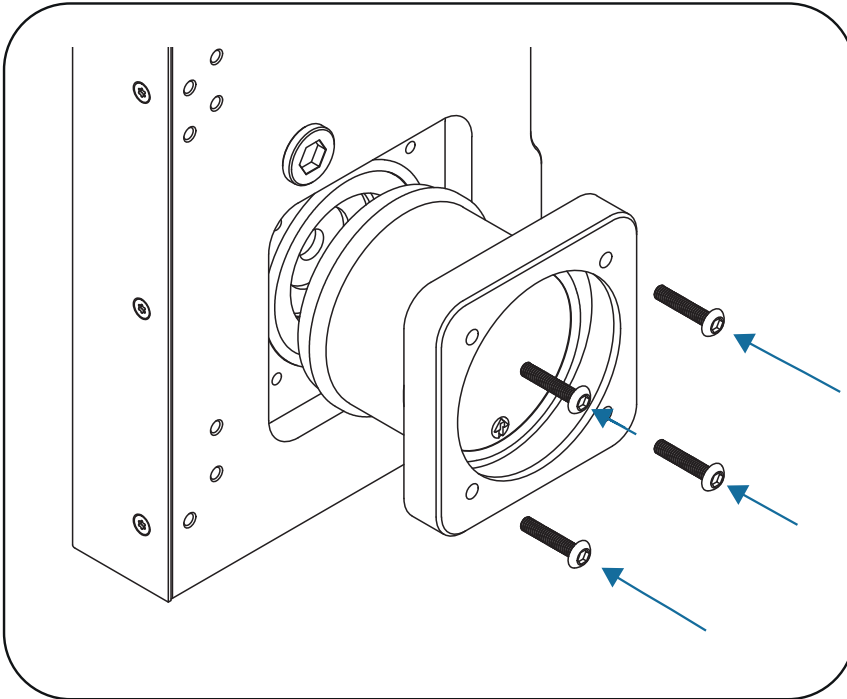


**Step 2:** Now remove the D5 ring.

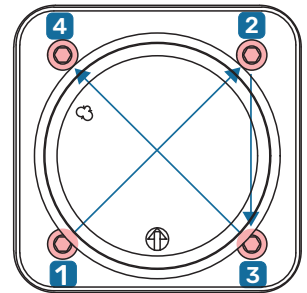
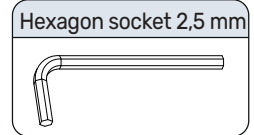




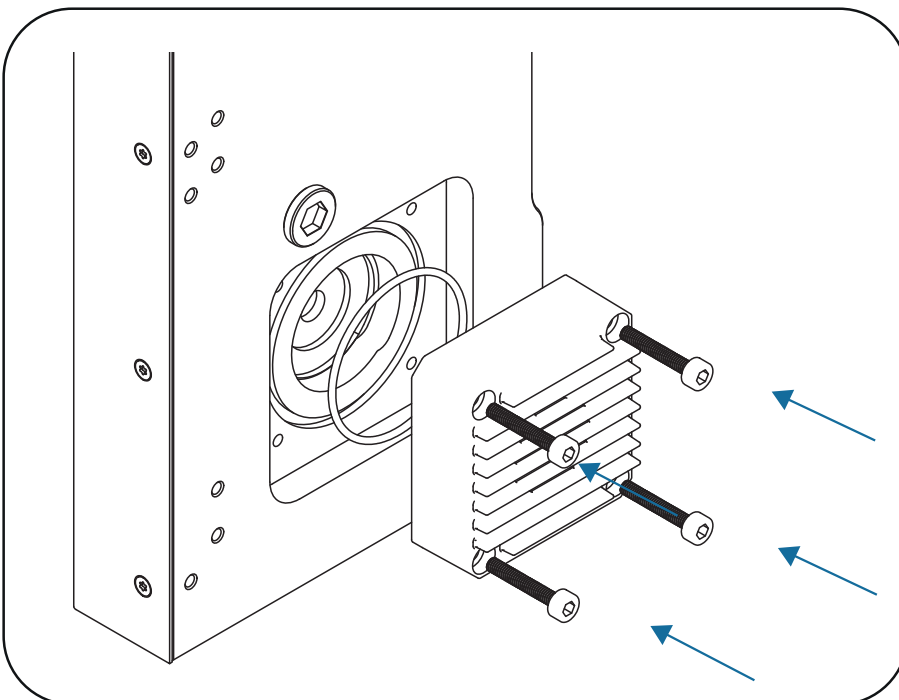
**Step 3:** Installing the D5 pump. Place the D5 ring over the pump and place it on the adapter. Tighten the screws with 2.5 Nm. Handle with care when tightening; acrylic can crack.



Do not overtighten the screws to avoid cracks in the acrylic glass. Note the sequence.



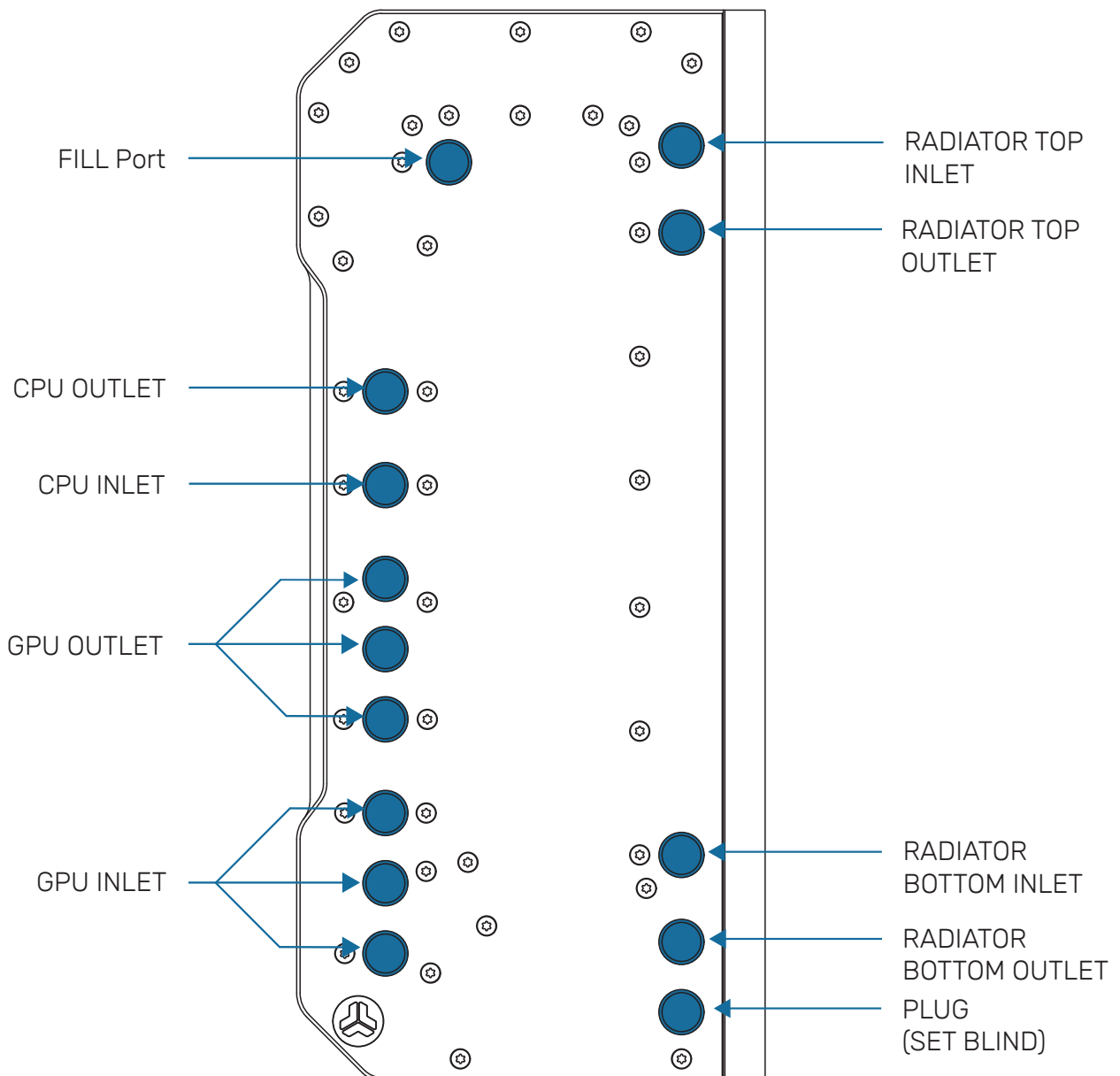
**Step 3.1:** Installing the DDC pump. Do not use the D5 ring. Note that the D5 o-ring is not suitable for the DDC. Make sure that the o-ring for the DDC pump is supplied. Place the pump directly on the adapter. Use M4 x 25 mm hexagon socket screws (not included in the scope of delivery). Tighten the screws to 2.5 Nm. Tighten the screws crosswise in the same way as for the D5 pump. (shown in the picture - step 3)

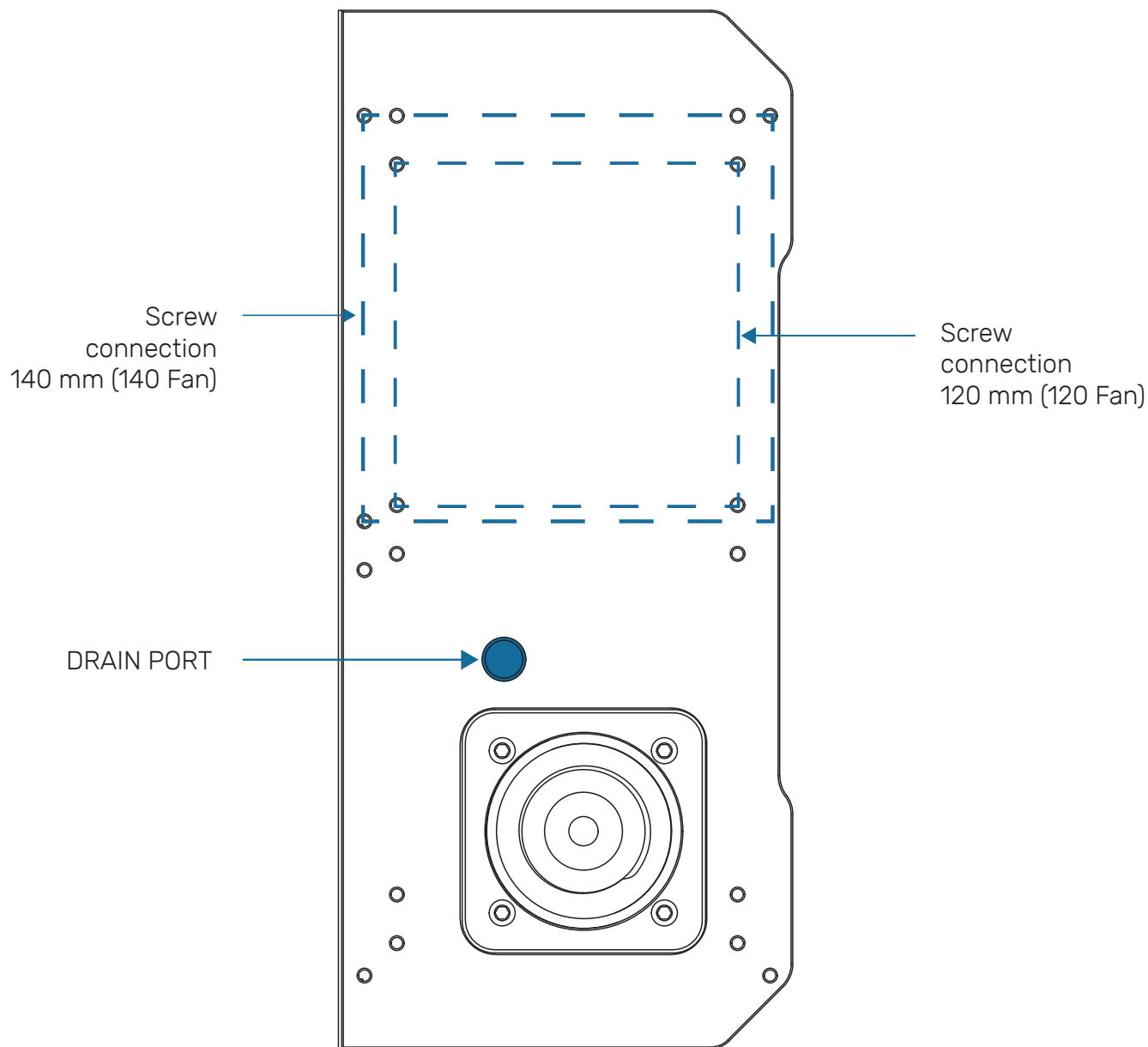




### 3. PLANNING THE WATER CIRCUIT FOR 2 RADIATORS

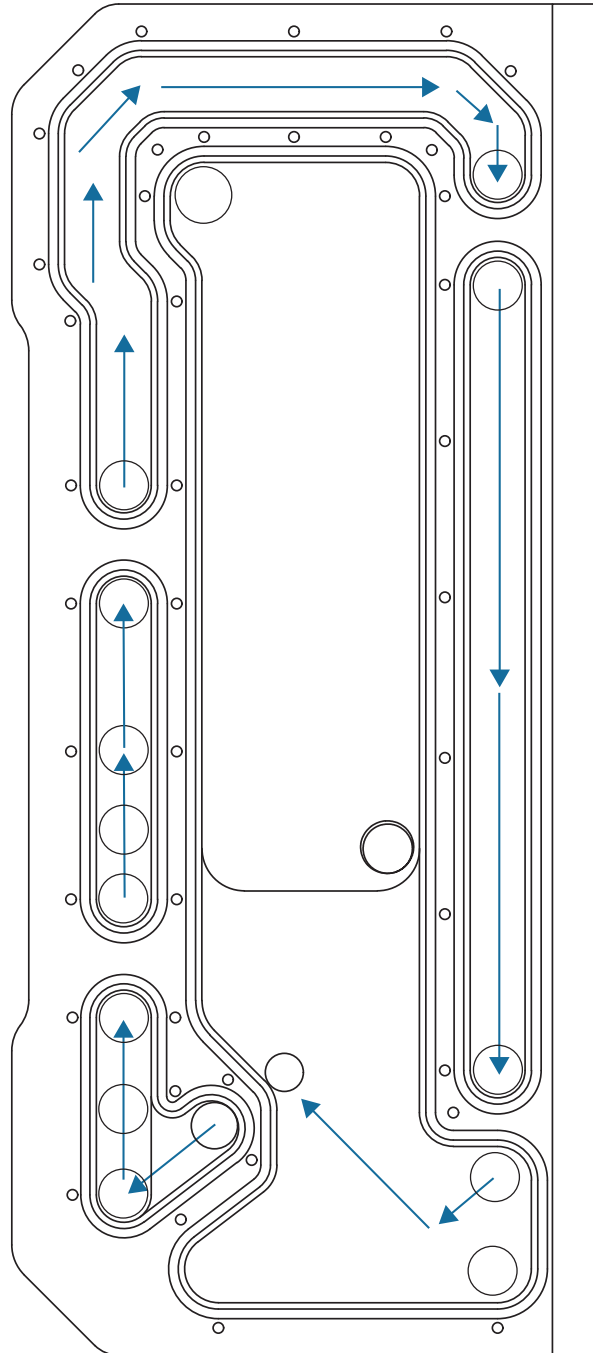
A configuration with 2 radiators is shown here. Close any unused ports with the provided plugs.



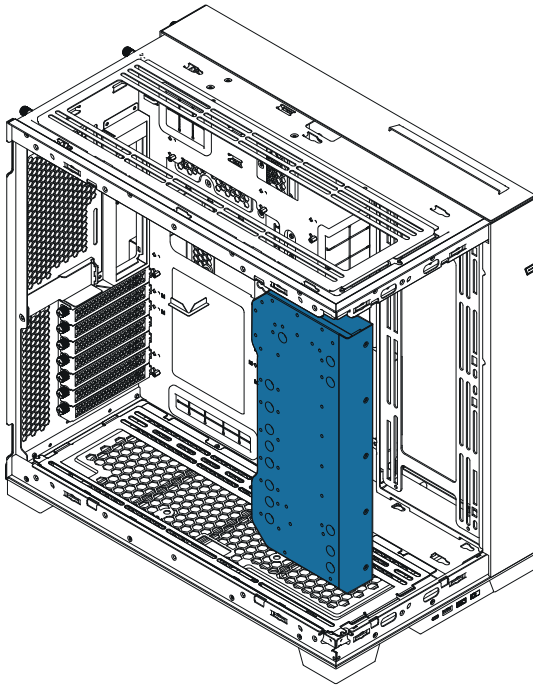




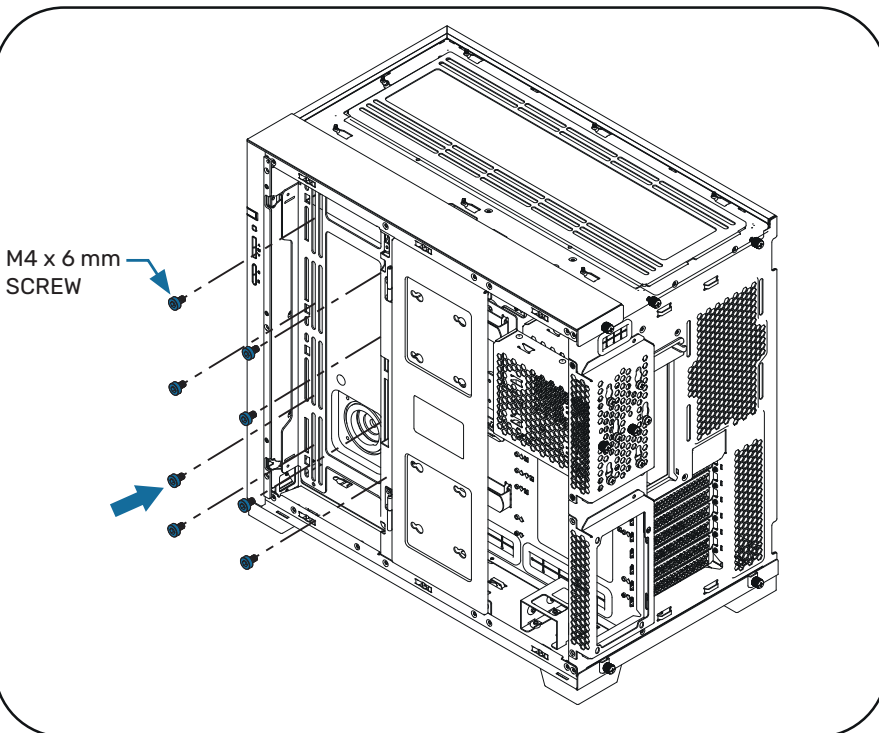
#### 4. Flow Diagram (Front View)






**5. INSTALLING THE DISTRIBUTION PLATE**

**STEP 1**

Carefully insert the distributor plate into the Case and align the fixing holes precisely. Take care not to scratch the acrylic!

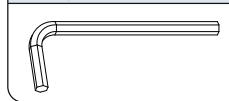

**STEP 2**

With the included M4 screws, you can mount the distro plate directly to any standard fan bracket.

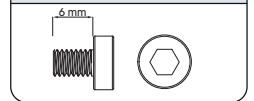


Do not overtighten the screws to avoid cracks in the acrylic glass.

Hexagon socket 3 mm

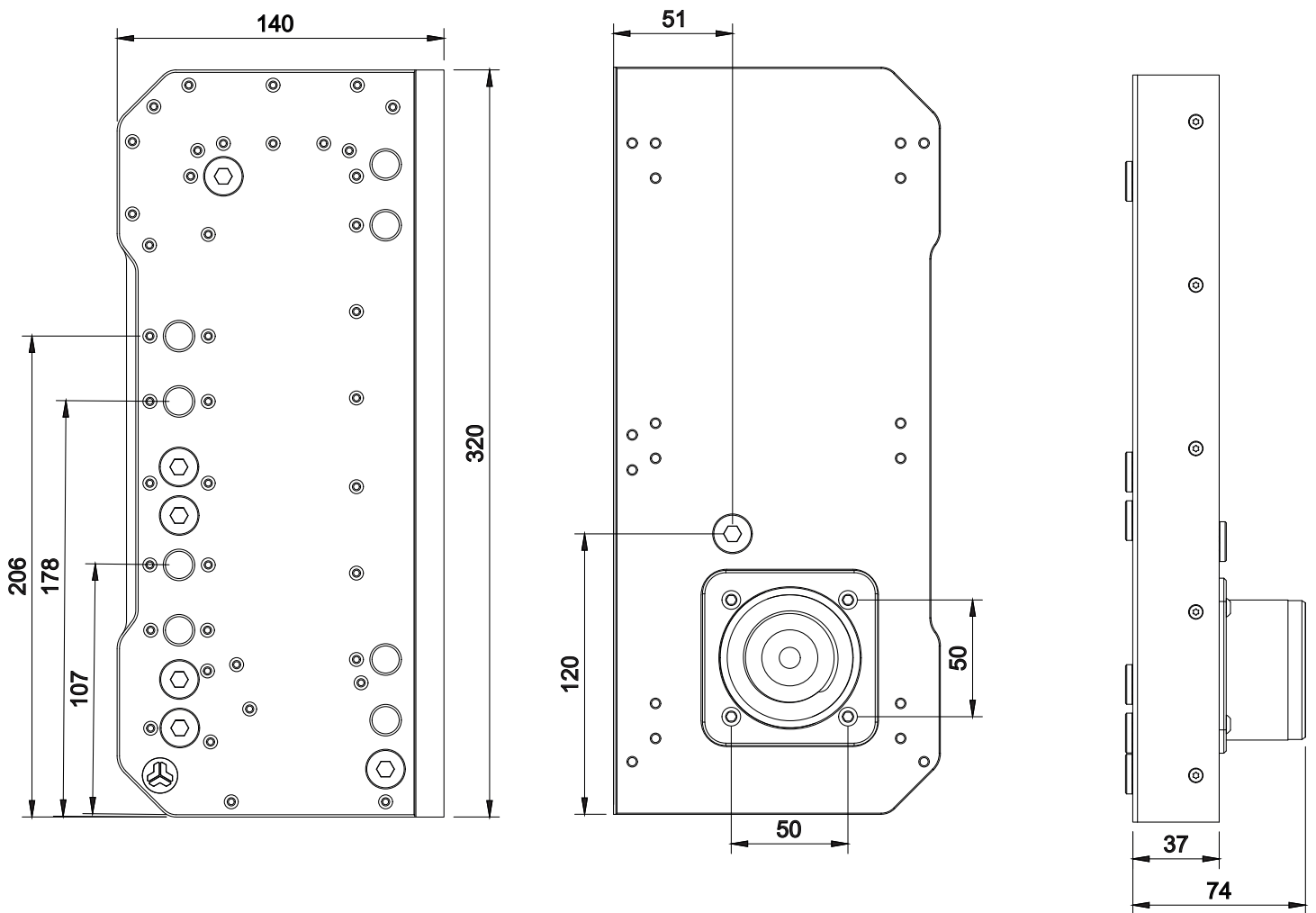


M4 x 6 Screws



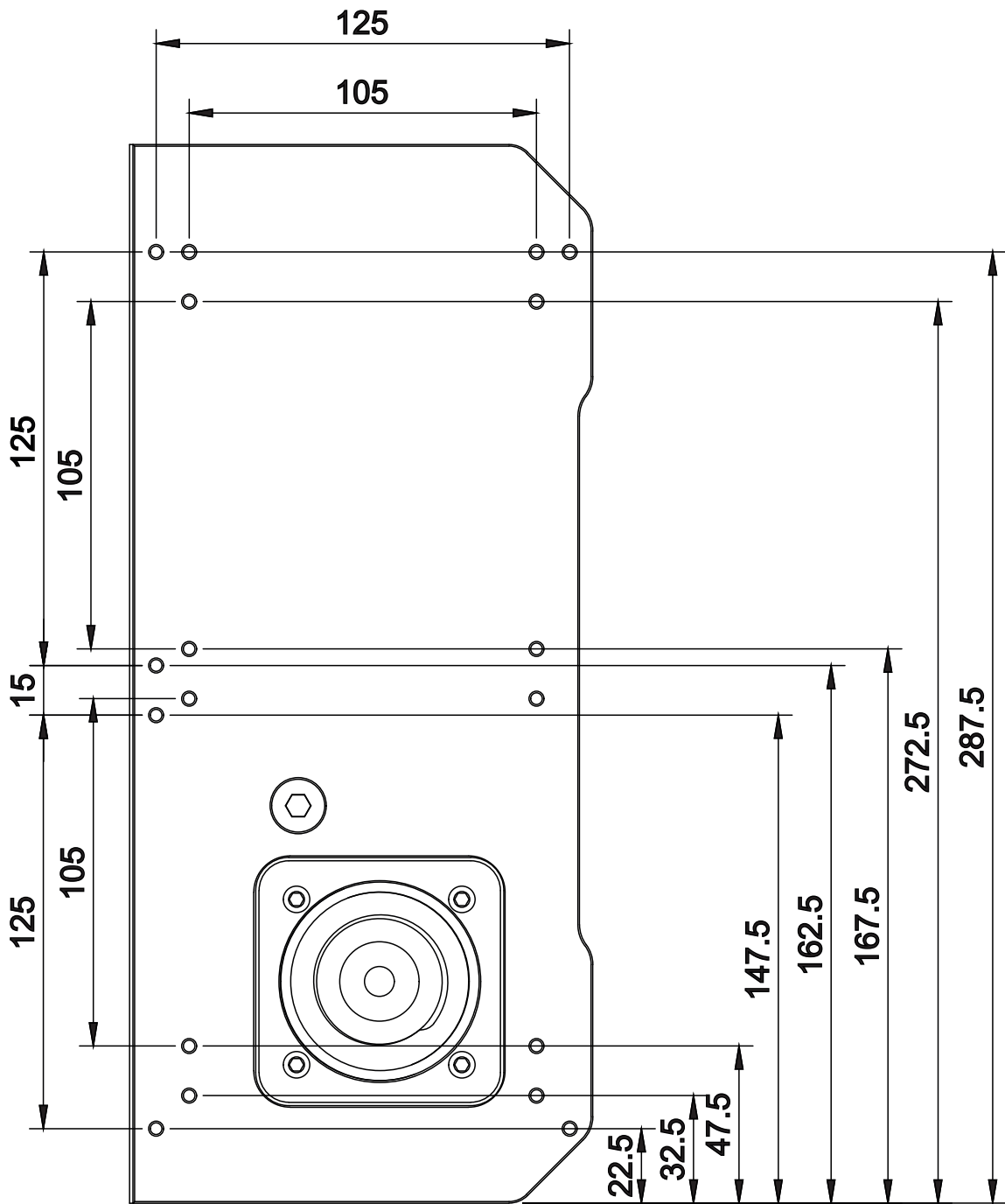


6. Dimensions in millimeter (mm) with D5 Pump





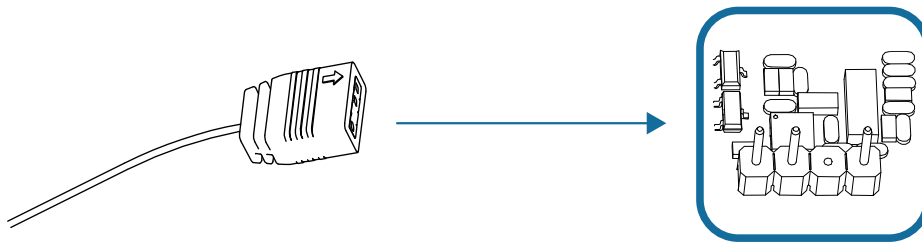
7. MOUNTING HOLES DIMENSIONS





## 8. CONNECTING THE D-RGB CABLE

Connect the D-RGB cable to a compatible motherboard (3-Pin ARGB Connector).



## 9. INSTALLING THE CONNECTIONS

Mount the connections with G1/4 thread and close the remaining connections with sealing plugs. Always perform a leak test before applying power to the system components (max. 0.5 bar).

Align the screw positions.

Carefully loosen the shut-off valve of the filling connection to allow trapped air to escape.

## 10. CLEANING & CARE

Clean the manifold plate only with microfiber cloths to avoid scratches in the material. Do not use cleaners containing alcohol to avoid stress cracks in the material. Before installing the manifold plate, it is recommended to rinse the manifold plate to remove any last residues. Acrylic paints can leave residues.



## 11. Support and Service

### Contact

#### Stealkey Customs

Mail: [support@stealkeycustoms.de](mailto:support@stealkeycustoms.de)

Instagram: <https://www.instagram.com/stealkeycustoms>

Website: <https://www.stealkeycustoms.de>

FAQ: <https://www.stealkeycustoms.de/pages/faq>