

SKU: SW10155
EAN: 4260754980898

HIGH QUALITY

MADE IN GERMANY



TABLE OF CONTENTS

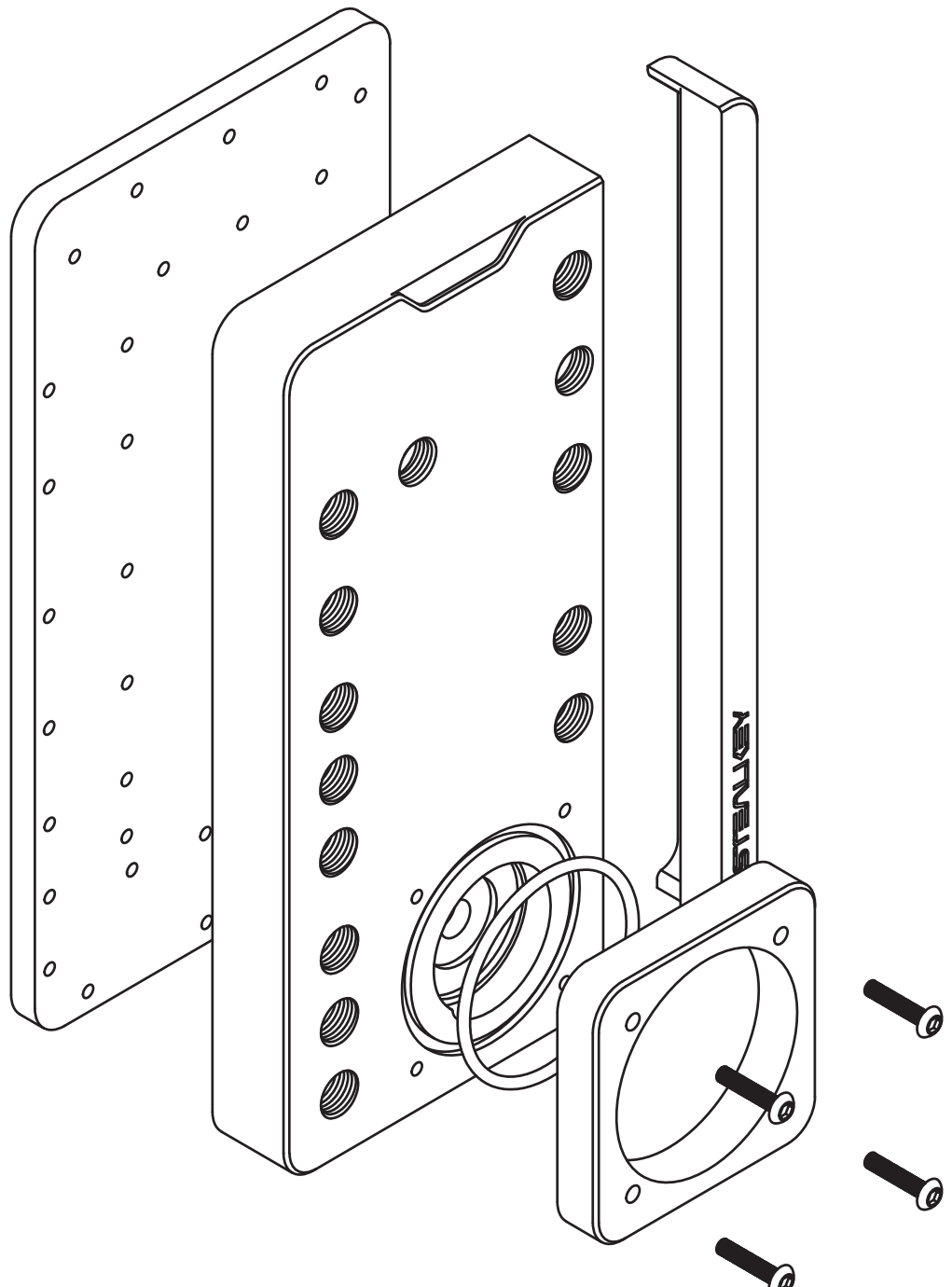
1.	PACKAGING CONTENT WARNING	3
2.	DIMENSIONS (mm)	4
3.	FLOW DIAGRAM	6
4.	RECOMMENDED DISTRO PLATE CONFIGURATION	7
5.	INSTALLING THE D5 OR DDC PUMP	9
6.	INSTALLING THE DISTROBUTION PLATE	11
7.	CONNECTING THE D-RGB CABLE	13
8.	INSTALLING THE CONNECTIONS	13
9.	CLEANING & CARE	13
10.	SUPPORT AND SERVICE	13

1. PACKAGING CONTENT WARNING

This product is intended for advanced users. Improper installation may result in damage to your equipment. While every effort has been made to provide the most comprehensive information possible, Stealkey Customs assumes no liability, express or implied, for damage to your components resulting from the use of Stealkey Customs cooling products, whether due to errors or omissions on our part in the instructions below, or due to errors or defects in Stealkey Customs cooling products. Do not disassemble the distro plate. Doing so will void the warranty. Turn off your system and discharge your body's static charge before proceeding with the installation. If you do not feel comfortable performing the installation procedure, contact a qualified computer technician.

SK-UNI 240D Distroplate D-RGB - Black Edition

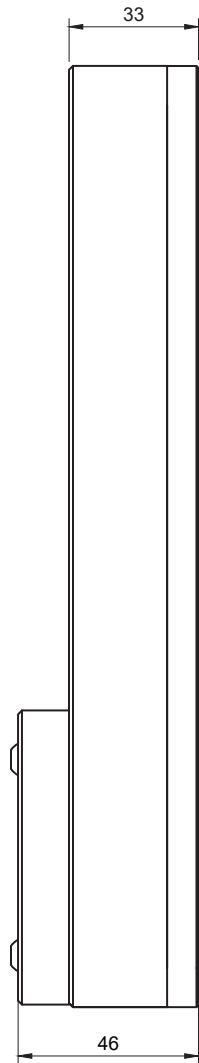
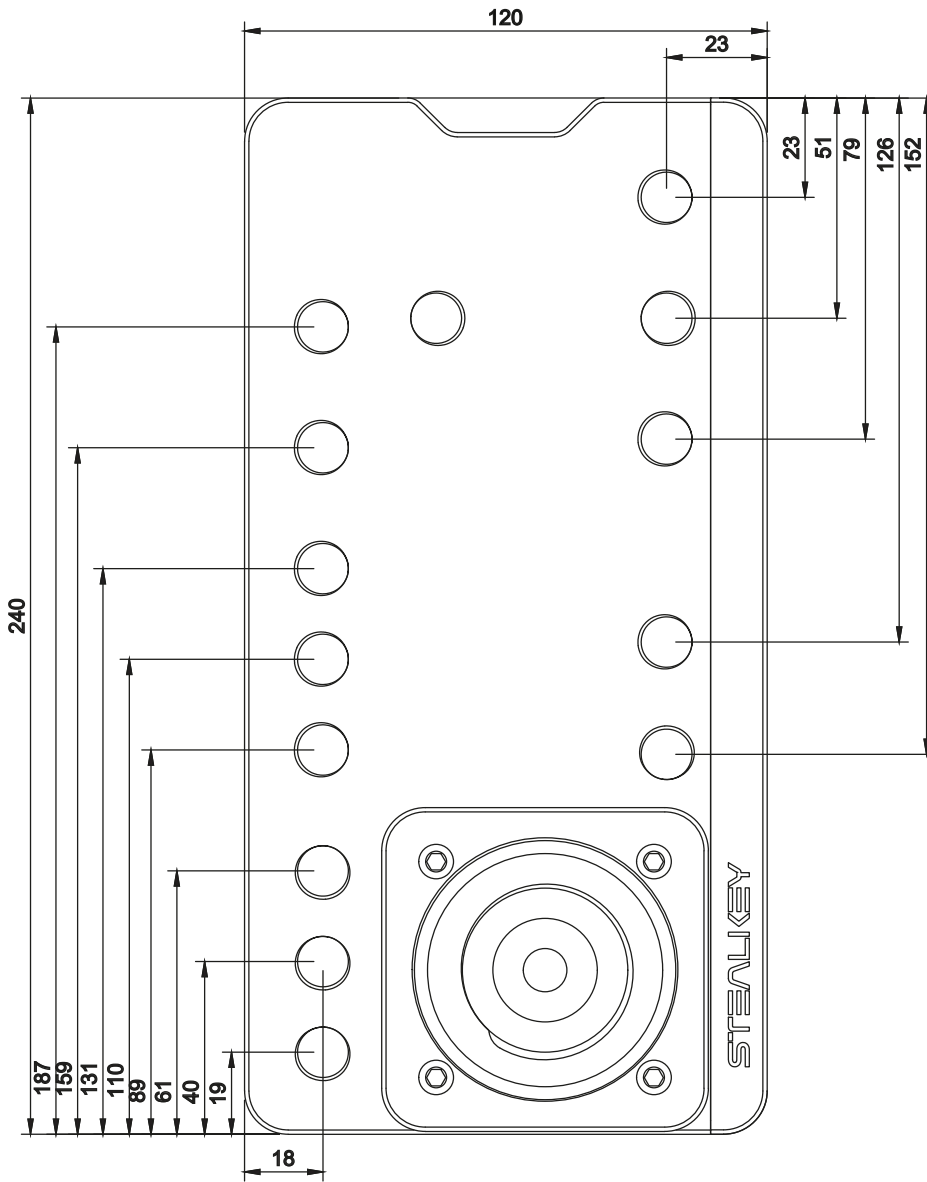
SKU: SW10155
 EAN: 4260754980898
 Mounting screws
 4x M4x5 mm
 Plugs
 6x G1/4 Plugs



2. DIMENSIONS (mm)

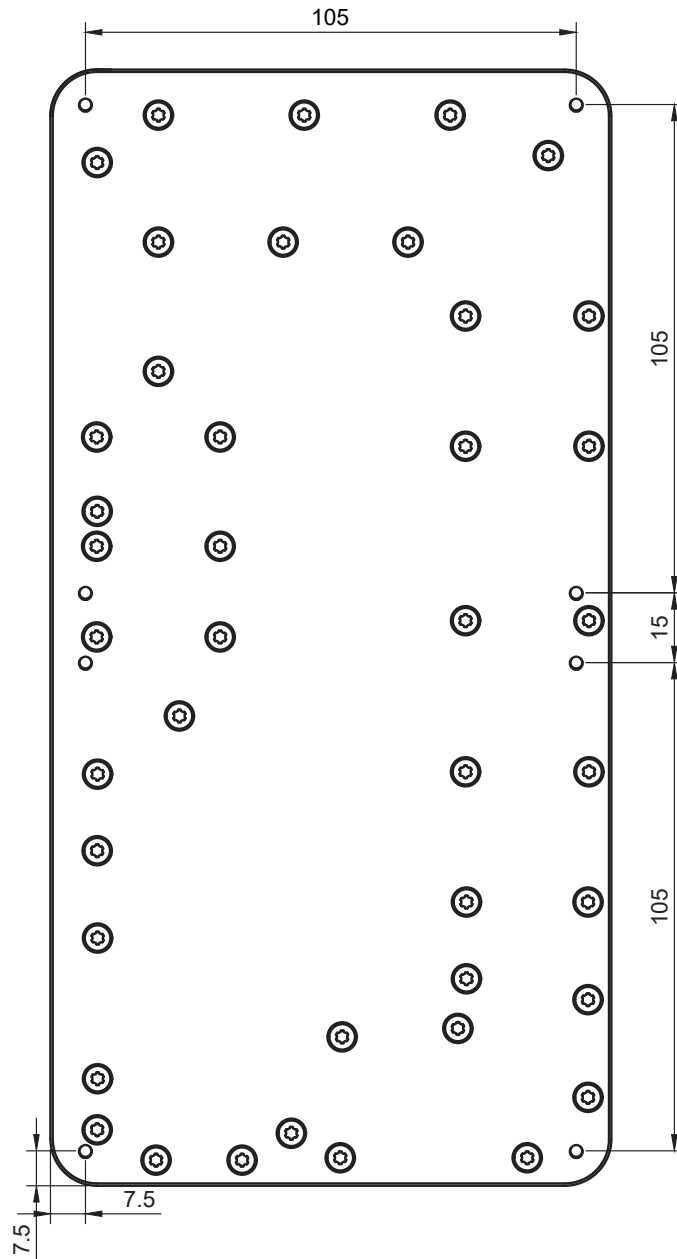
FRONT

SIDE



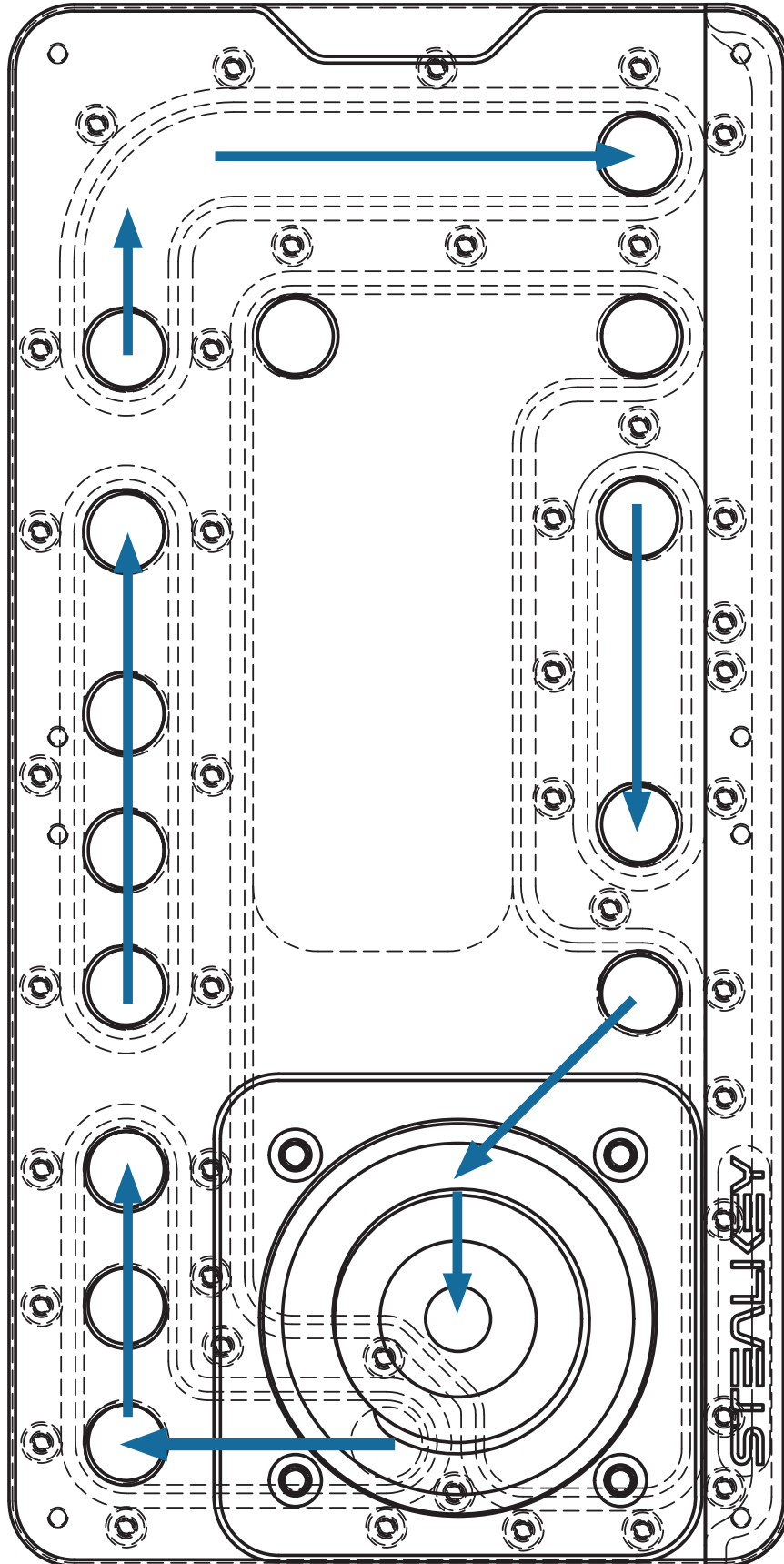


BACK





3. FLOW DIAGRAM

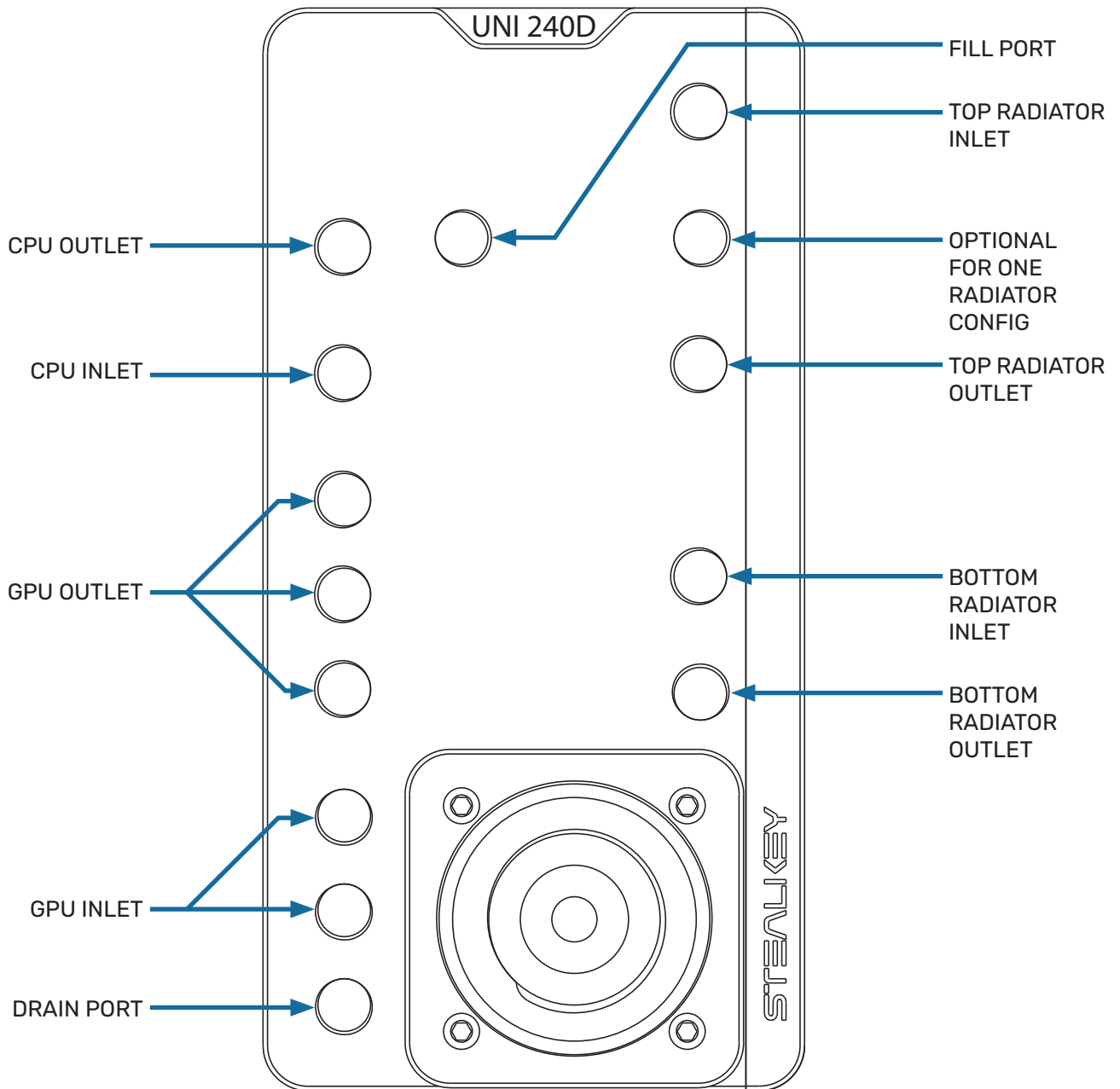




4. RECOMMENDED DISTRO PLATE CONFIGURATION

A configuration with 2 radiators is shown here. Close any unused ports with the provided plugs.

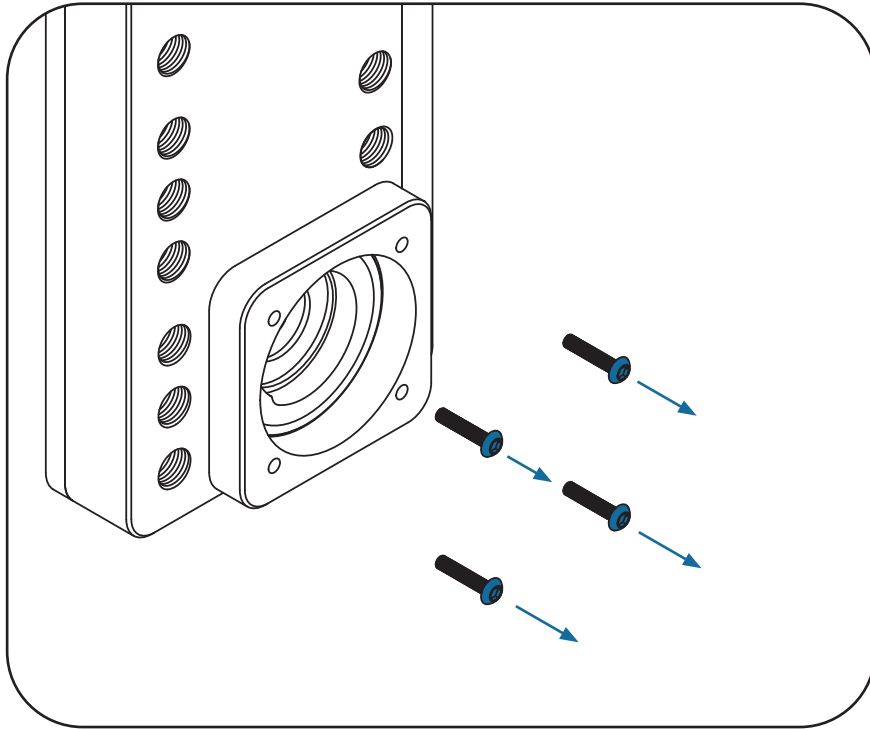
FRONT VIEW



5. INSTALLING THE D5 OR DDC PUMP

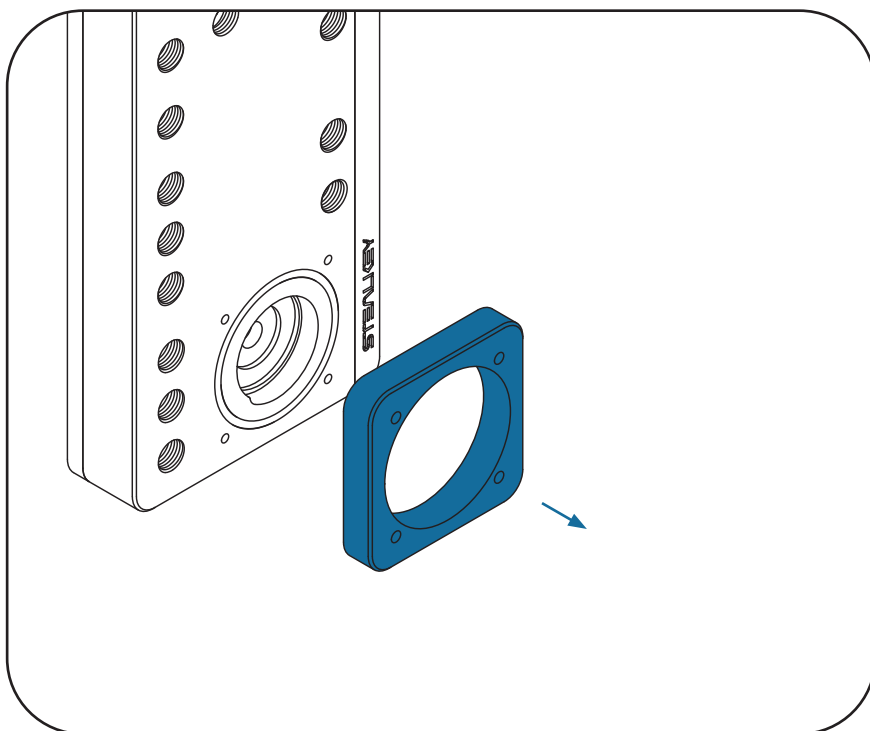
STEP 1

Remove the 4 x M4 x 20 mm screws (2,5 mm hexagon socket). Set the screws aside as they will be needed to secure the pump.



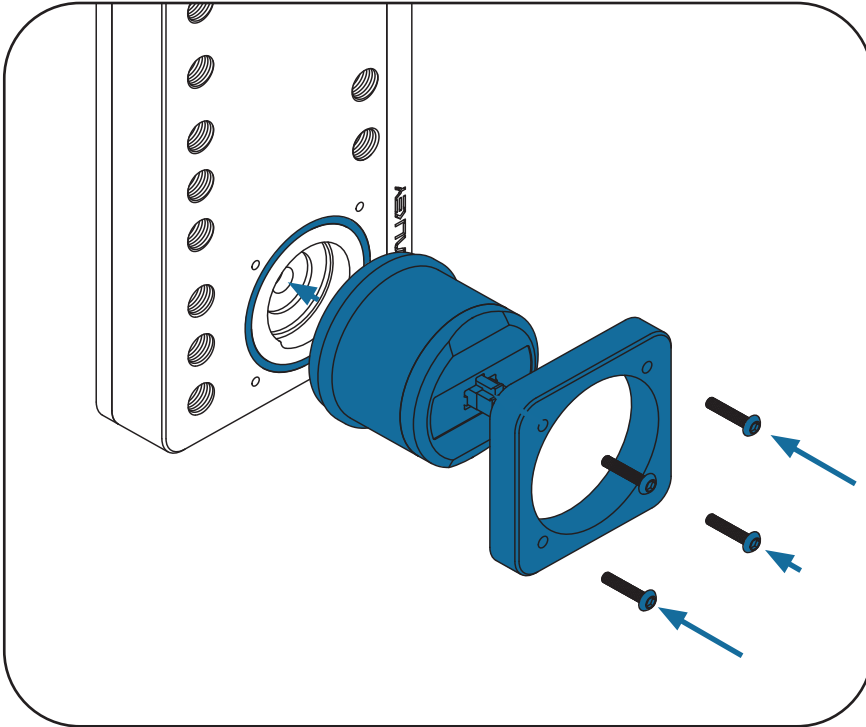
STEP 2

Now remove the D5 ring.

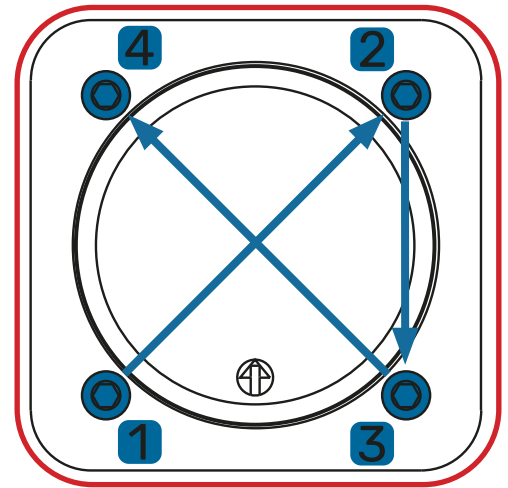


STEP 3

Installing the D5 pump. Place the D5 ring over the pump. Make sure the supplied o-ring is in the nut before installing the pump through the d5 ring on the adapter. Tighten the screws with 0,3 - 1,5 Nm. Handle with care when tightening.

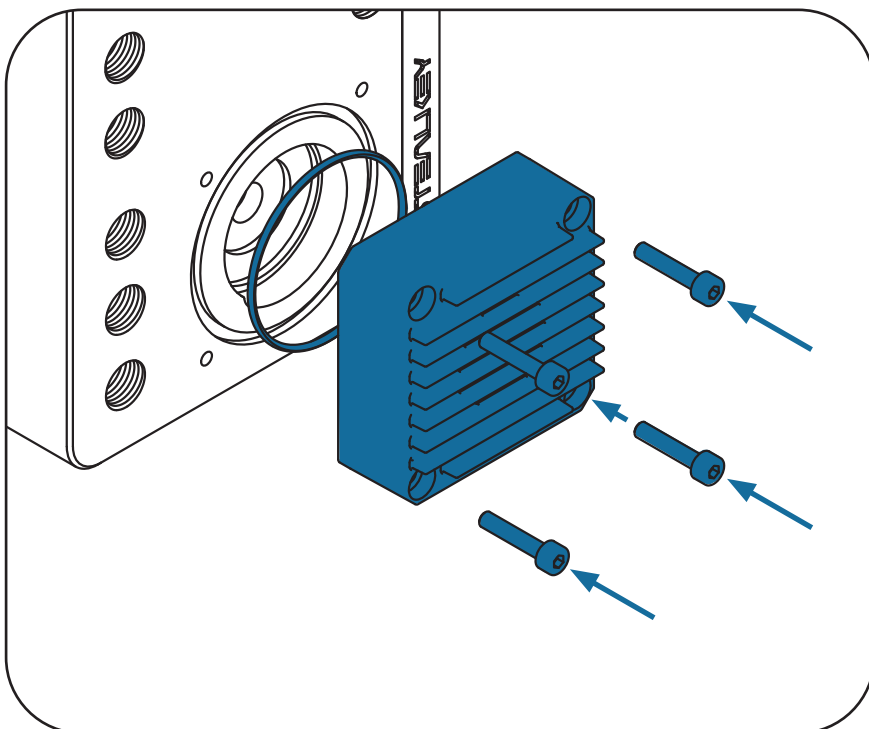


Cross-tighten screws for stress-free installation to avoid cracks in the acrylic glass.



STEP 3.1

Installing the DDC pump. Do not use the D5 ring. Note that the D5 o-ring is not suitable for the DDC. Use the o-ring of the DDC pump. Place the pump on the adapter. Use M4 x 25 mm hexagon socket screws (not included in the scope of delivery). Tighten the screws with 0,5 - 1,5 Nm.



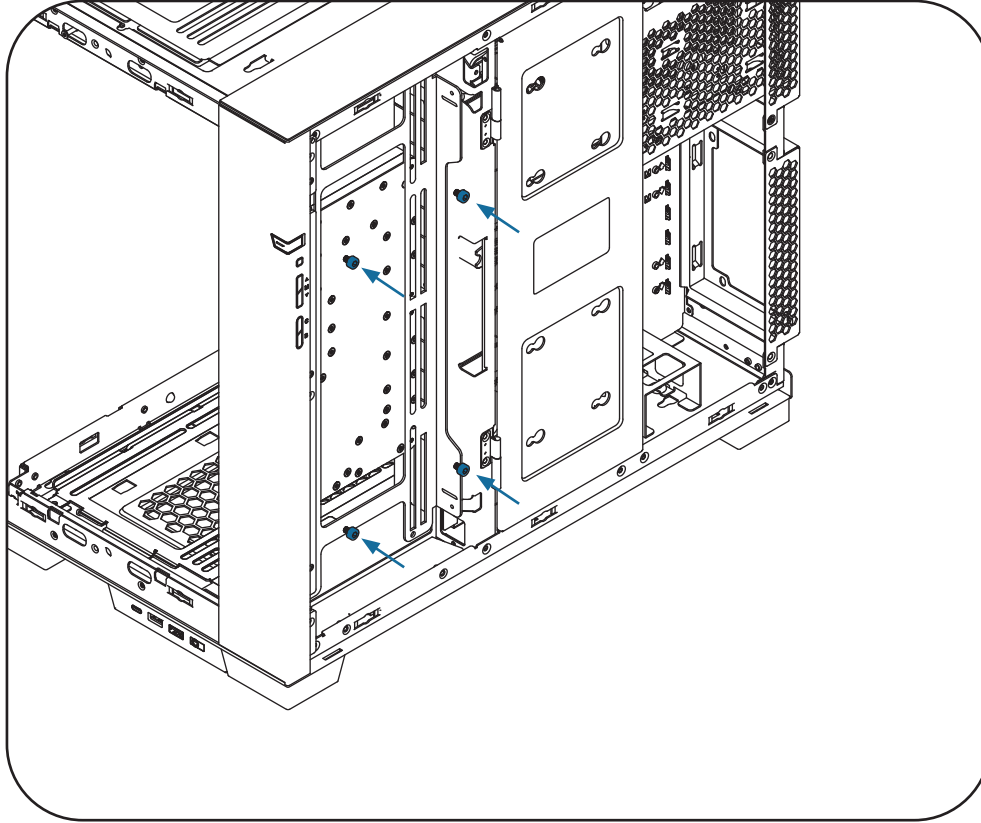
Cross-tighten screws for stress-free installation to avoid cracks in the acrylic glass.




6. INSTALLING THE DISTROBUTION PLATE

STEP 1

Using the included M4 screws you can mount the reservoir directly to your chassis or any other standard fan mounting location.



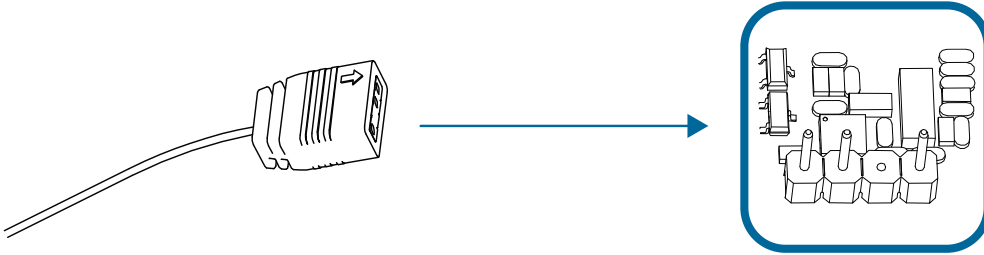
 Do not overtighten the screws to avoid cracks in the acrylic glass.

M4 x 10 Screw (4pcs)



7. CONNECTING THE D-RGB CABLE

Connect the D-RGB cable to a compatible motherboard (3-Pin ARGB Connector).



8. INSTALLING THE CONNECTIONS

Mount the connections with G1/4 thread and close the remaining connections with stop fittings. Always perform a leak test before applying power to the system components (max. 0,5 bar). Carefully loosen the shut-off valve of the filling connection to allow trapped air to escape.

9. CLEANING & CARE

Clean the distro plate only with microfiber cloths to avoid scratches in the material. Do not use cleaners containing alcohol to avoid stress cracks in the material. Before installing the distro plate, it is recommended to rinse the distro plate to remove any last residues. Acrylic paints can leave residues.

10. SUPPORT AND SERVICE

Contact

Stealkey Customs

Mail: support@stealkeycustoms.de

Instagram: <https://www.instagram.com/stealkeycustoms>

Website: <https://www.stealkeycustoms.de>

FAQ: <https://www.stealkeycustoms.de/pages/faq>

