

SKU: SW10160
EAN: 4260754980928

HIGH QUALITY

MADE IN GERMANY



TABLE OF CONTENTS

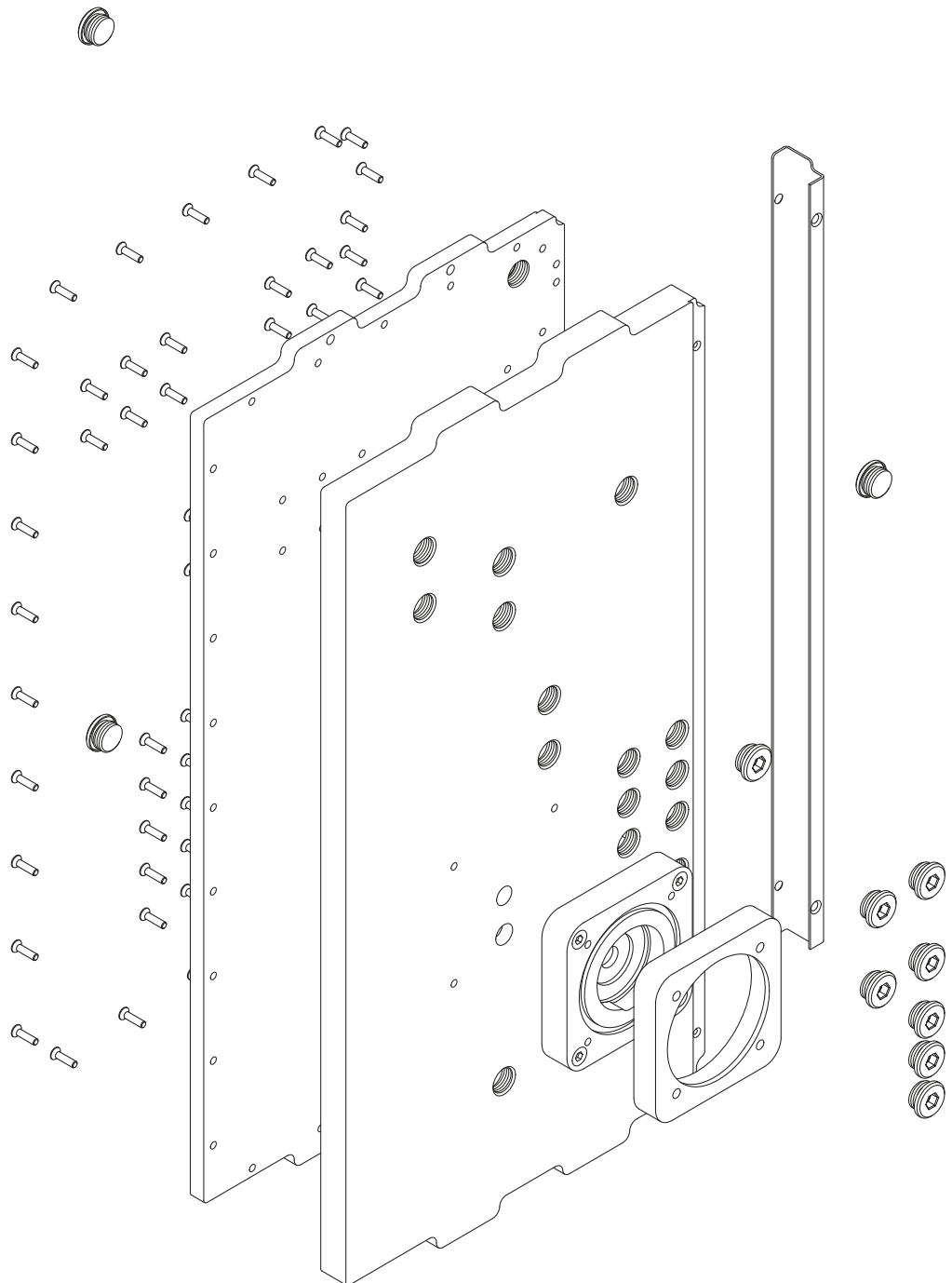
- 1. PACKAGING CONTENT WARNING 3
- 2. DIMENSIONS (mm) 4
- 3. FLOW DIAGRAM 6
- 4. RECOMMENDED DISTRO PLATE CONFIGURATION 7
- 5. INSTALLING THE D5 OR DDC PUMP..... 9
- 6. INSTALLING THE DISTROBUTION PLATE11
- 7. CONNECTING THE D-RGB CABLE 13
- 8. INSTALLING THE CONNECTIONS 13
- 9. CLEANING & CARE..... 13
- 10. SUPPORT AND SERVICE..... 13

1. PACKAGING CONTENT WARNING

This product is intended for advanced users. Improper installation may result in damage to your equipment. While every effort has been made to provide the most comprehensive information possible, Stealkey Customs assumes no liability, express or implied, for damage to your components resulting from the use of Stealkey Customs cooling products, whether due to errors or omissions on our part in the instructions below, or due to errors or defects in Stealkey Customs cooling products. Do not disassemble the distro plate. Doing so will void the warranty. Turn off your system and discharge your body's static charge before proceeding with the installation. If you do not feel comfortable performing the installation procedure, contact a qualified computer technician.

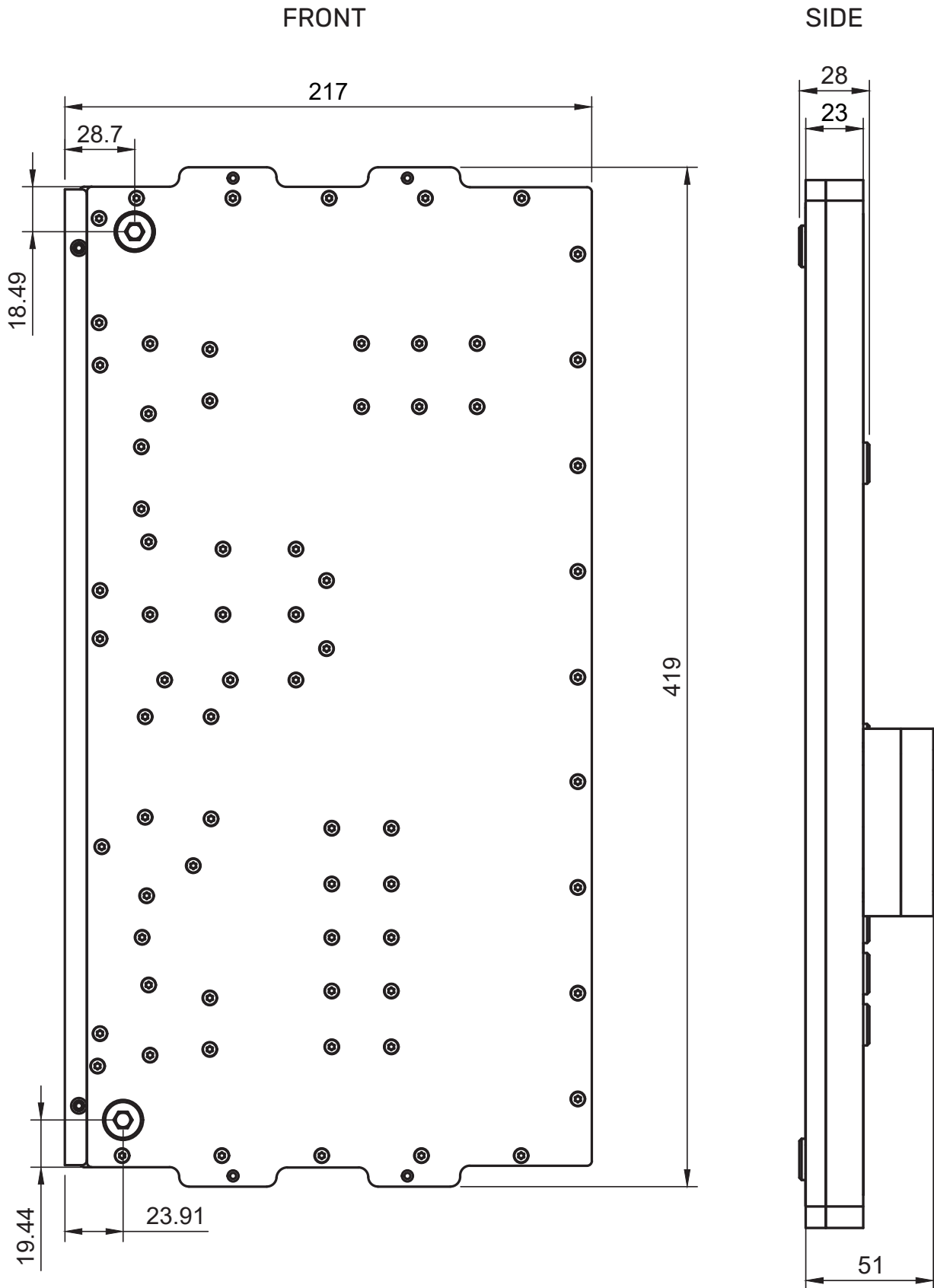
SK-Crosscool III Lian Li O11 DYNAMIC EVO RGB Distroplate D-RGB

SKU: SW10160
 EAN: 4260754980805
Mounting screws
 4x M3x16 mm
Plugs
 10x G1/4 Plugs



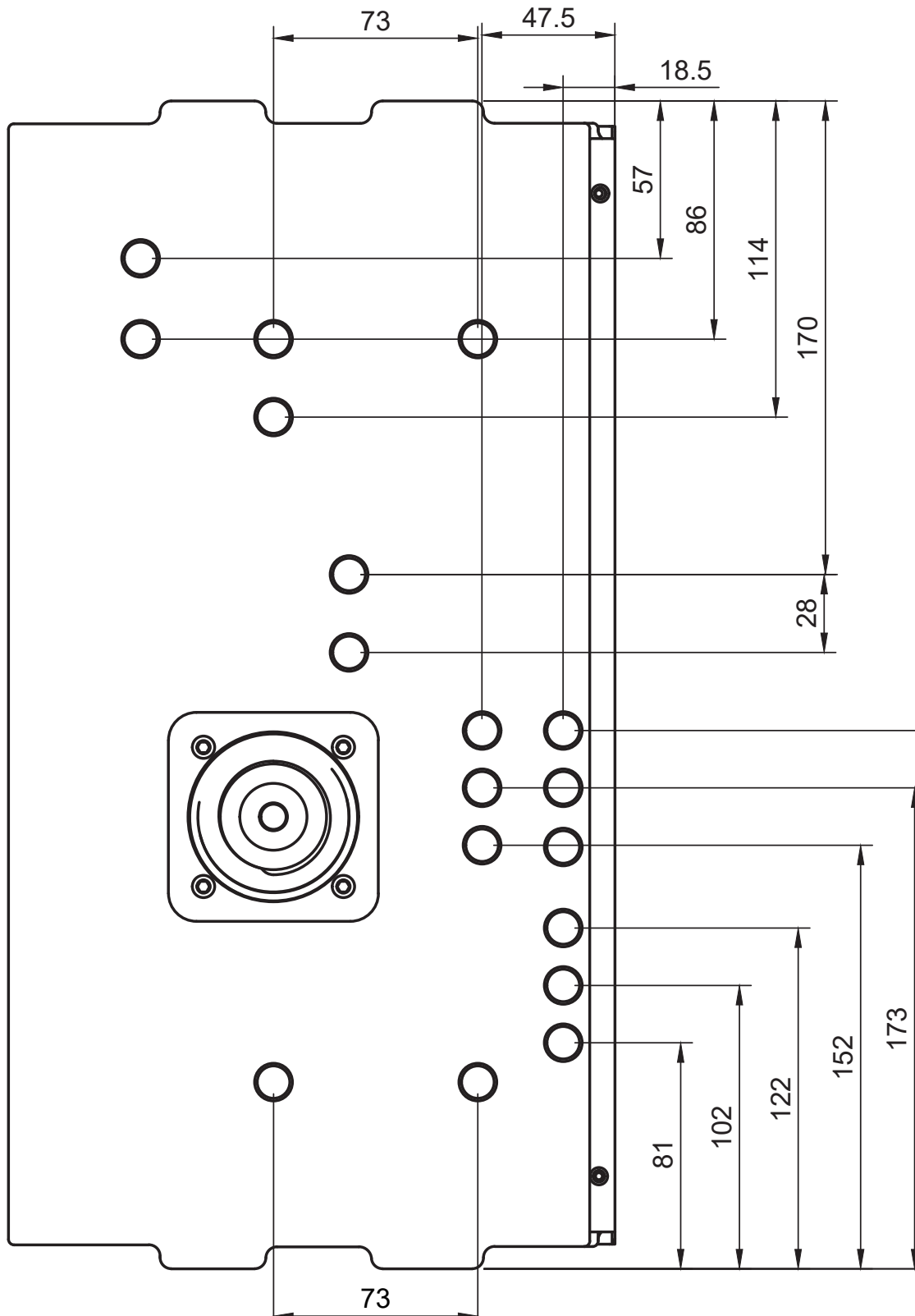


2. DIMENSIONS (mm)



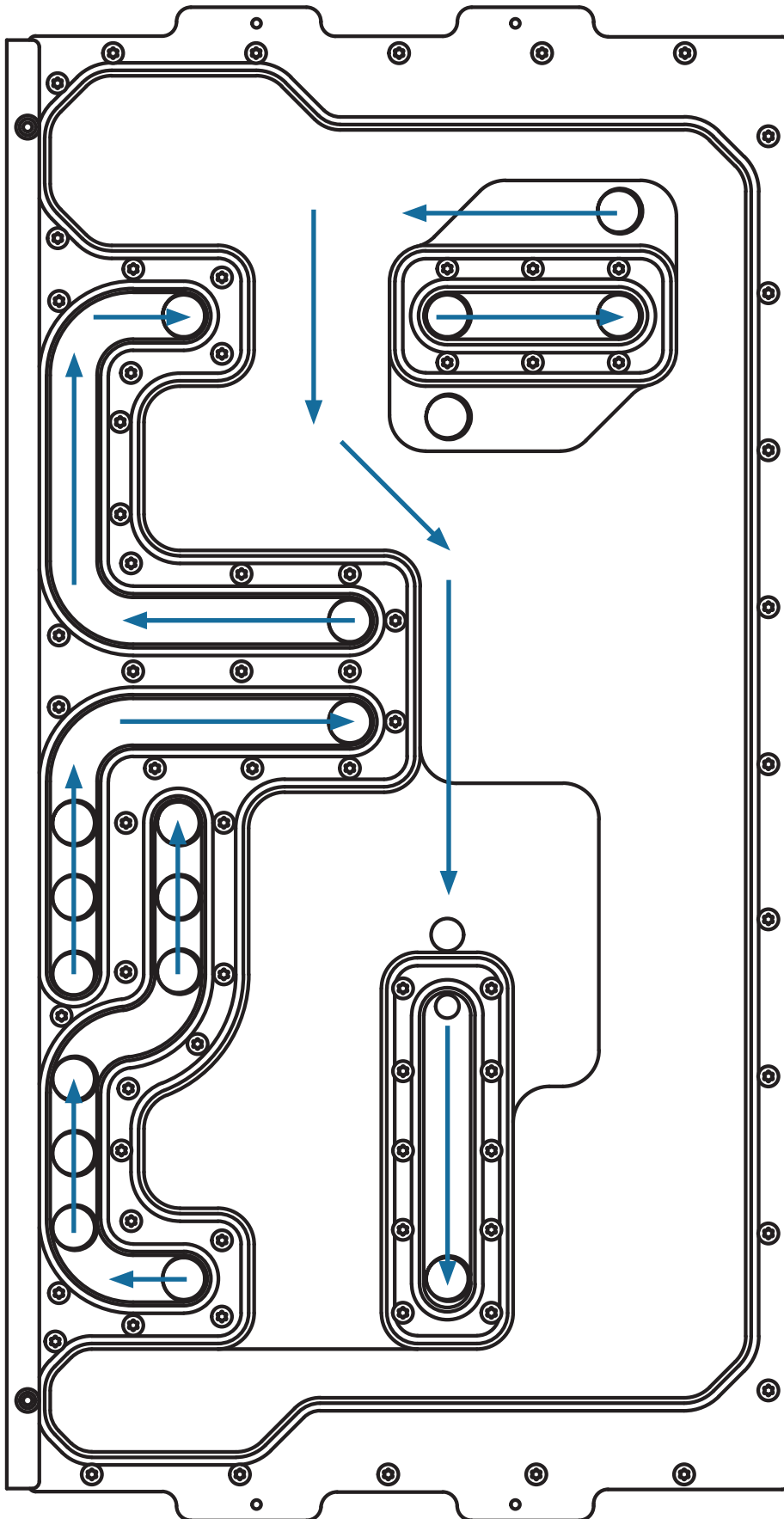


BACK





3. FLOW DIAGRAM

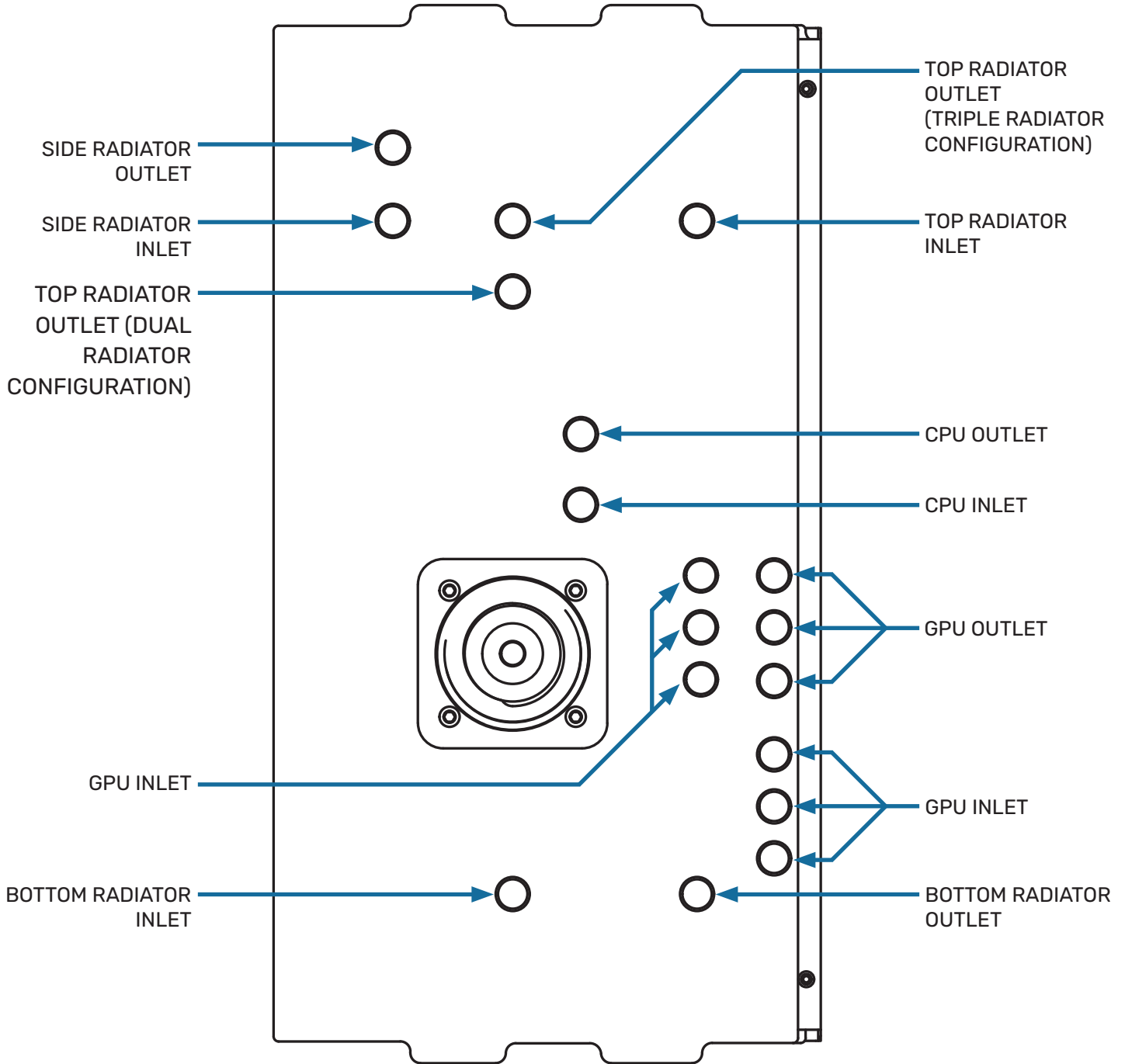




4. RECOMMENDED DISTRO PLATE CONFIGURATION

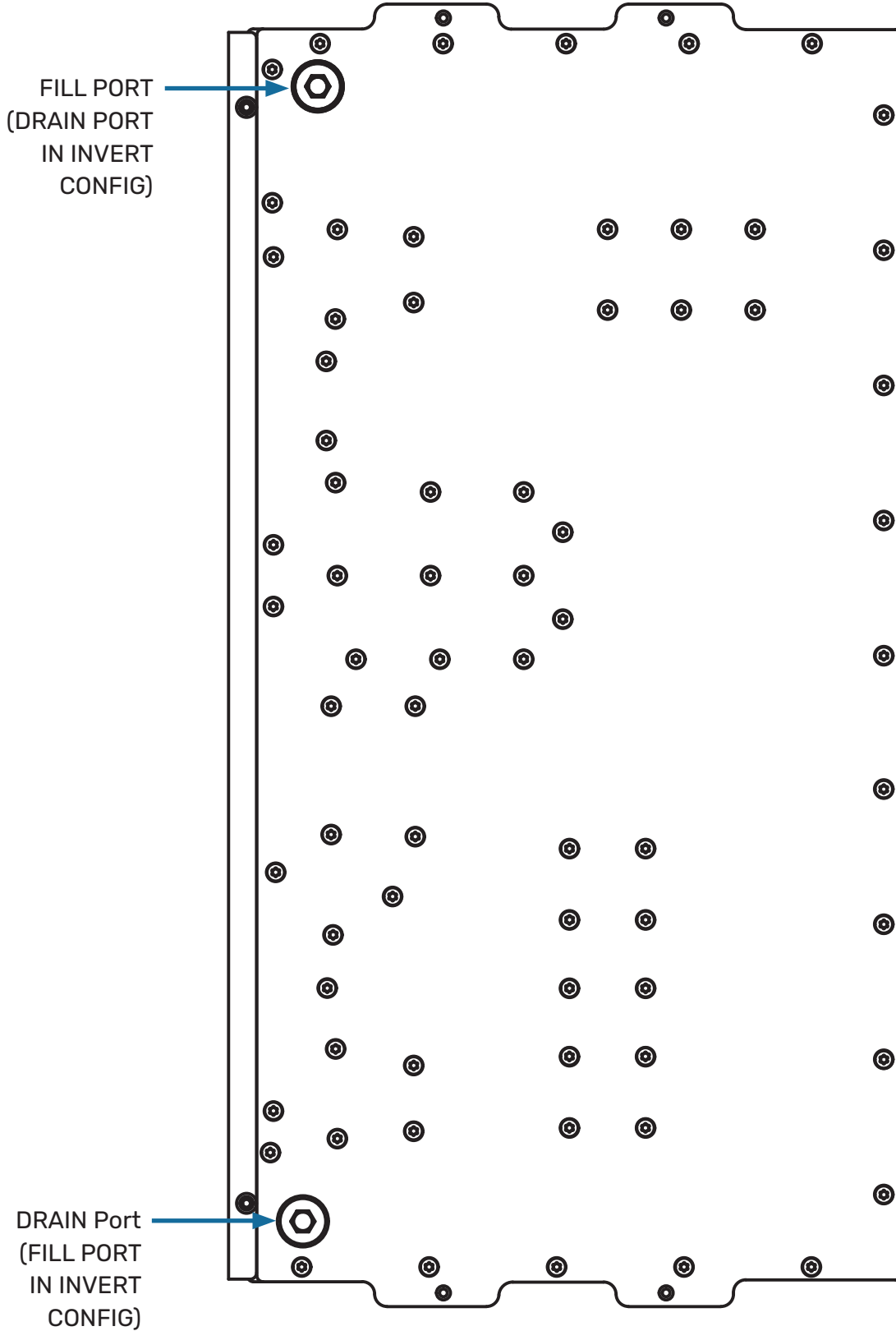
A configuration with 3 radiators is shown here. Close any unused ports with the provided plugs.

BACK VIEW





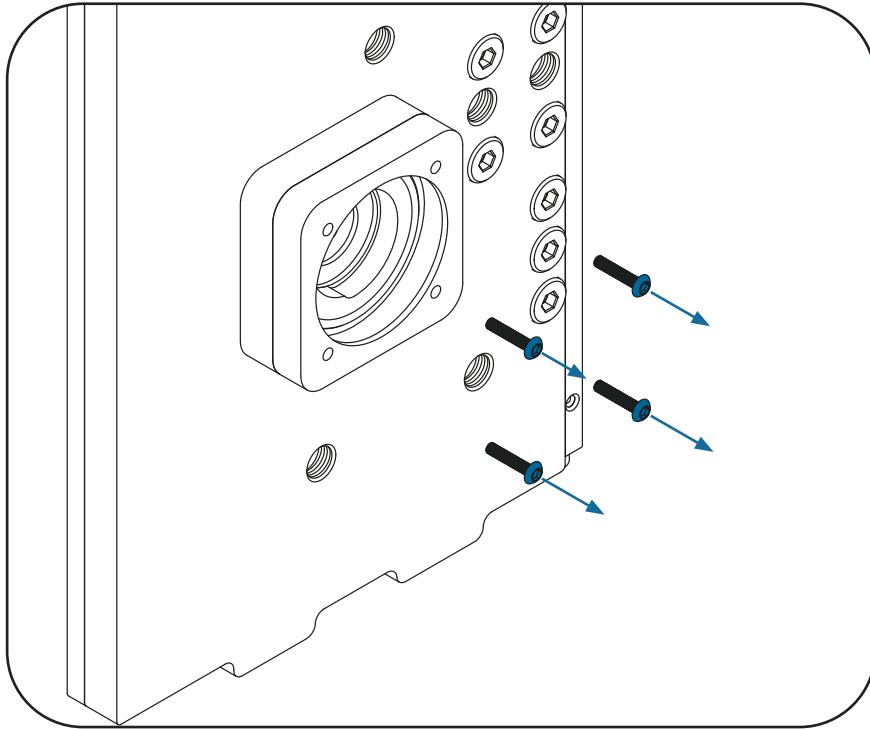
FRONT VIEW



5. INSTALLING THE D5 OR DDC PUMP

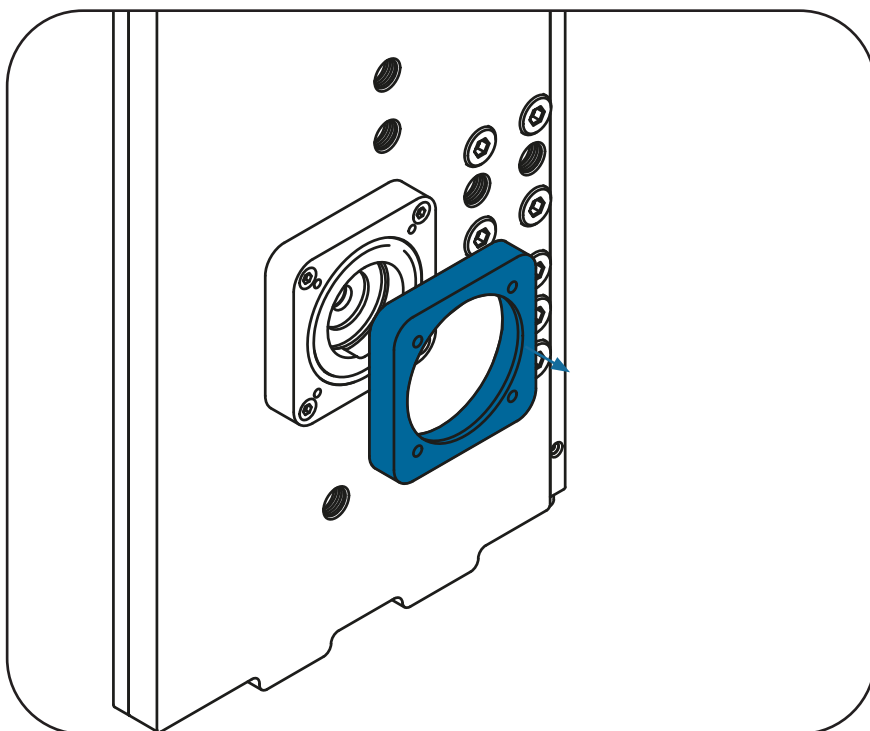
STEP 1

Remove the 4 x M4 x 20 mm screws (2,5 mm hexagon socket). Set the screws aside as they will be needed to secure the pump.



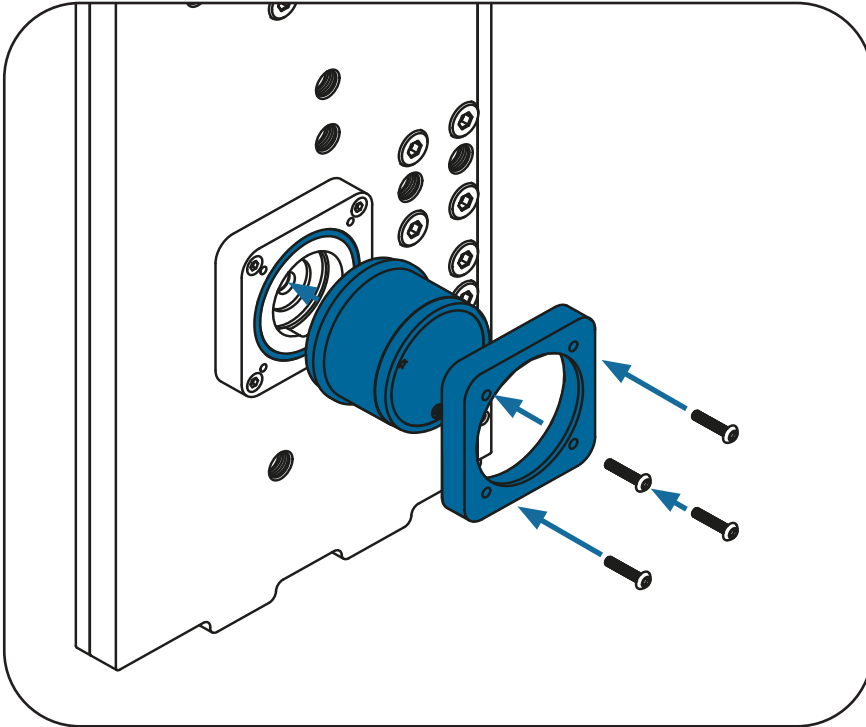
STEP 2


Now remove the D5 ring.

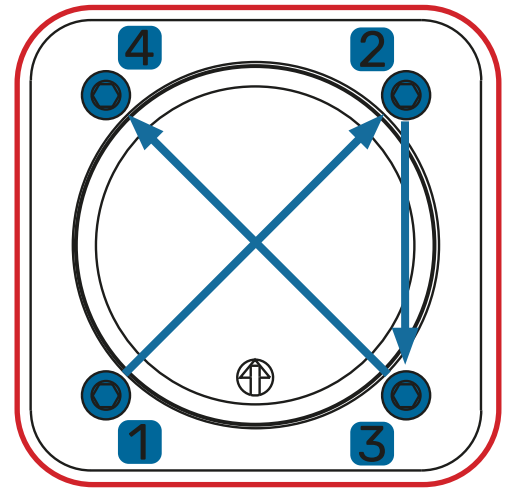


STEP 3

Installing the D5 pump. Place the D5 ring over the pump. Make sure the supplied o-ring is in the nut before installing the pump through the d5 ring on the adapter. Tighten the screws with 0,3 - 1,5 Nm. Handle with care when tightening.

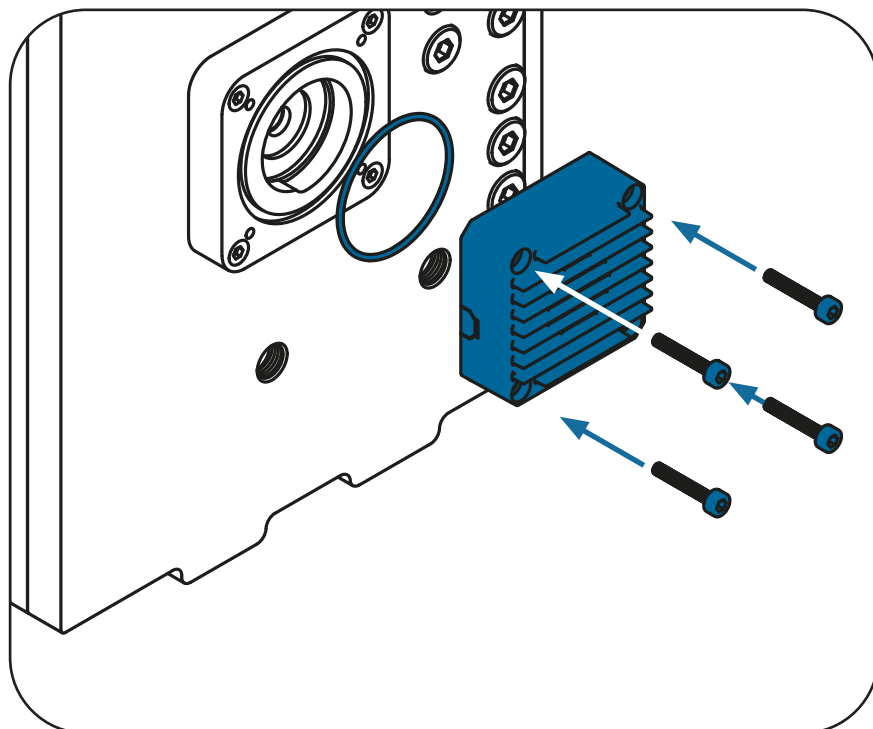



 Cross-tighten screws for stress-free installation to avoid cracks in the acrylic glass.



STEP 3.1

Installing the DDC pump. Do not use the D5 ring. Note that the D5 o-ring is not suitable for the DDC. Use the o-ring of the DDC pump. Place the pump on the adapter. Use M4 x 25 mm hexagon socket screws (not included in the scope of delivery). Tighten the screws with 0,5 - 1,5 Nm.

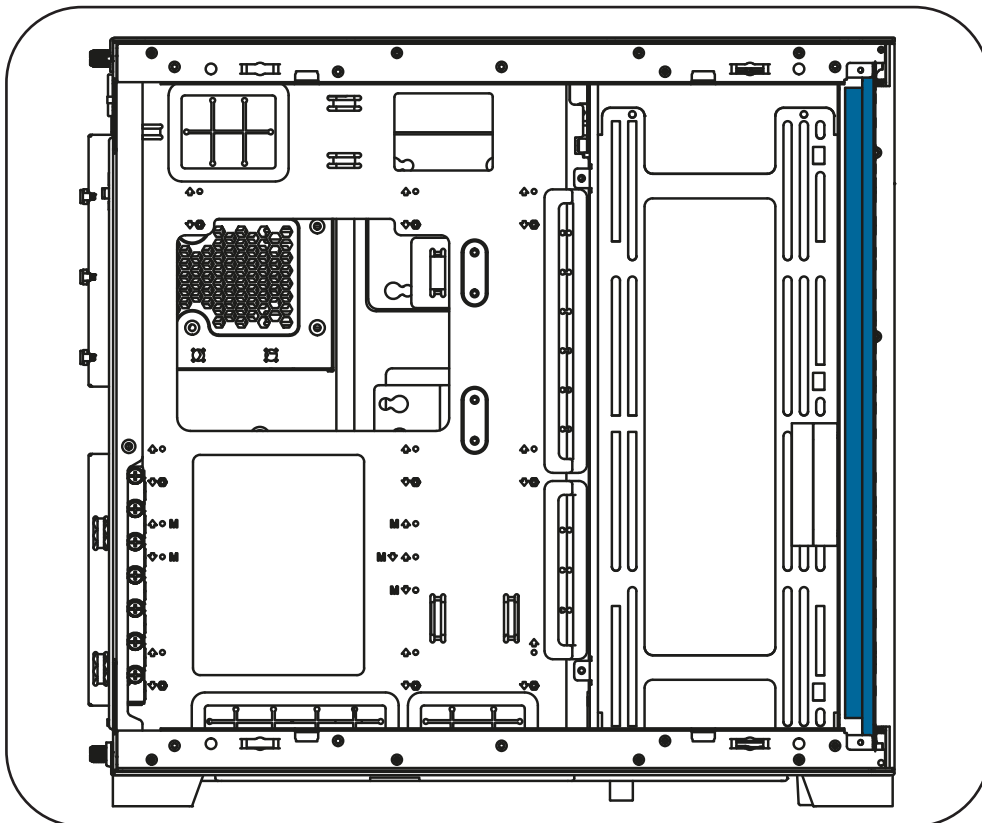
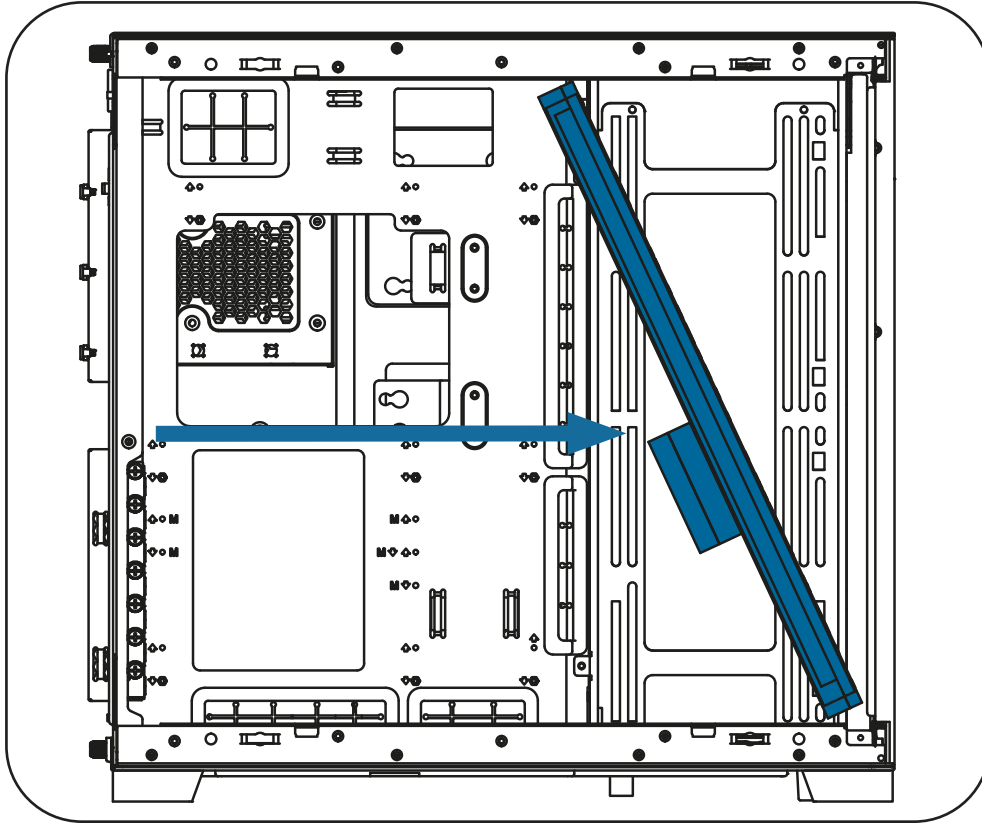


 Cross-tighten screws for stress-free installation to avoid cracks in the acrylic glass.

6. INSTALLING THE DISTROBUTION PLATE

STEP 1

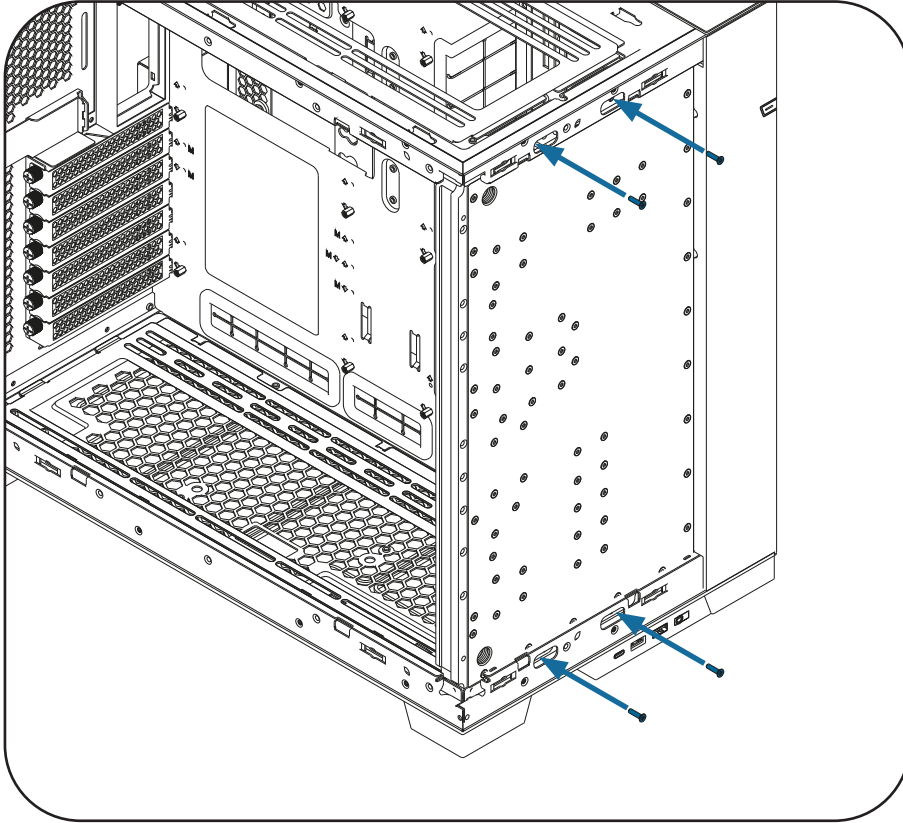
Position the distribution plate into the PC Case and align the fixing holes precisely. Take care not to scratch the acrylic!




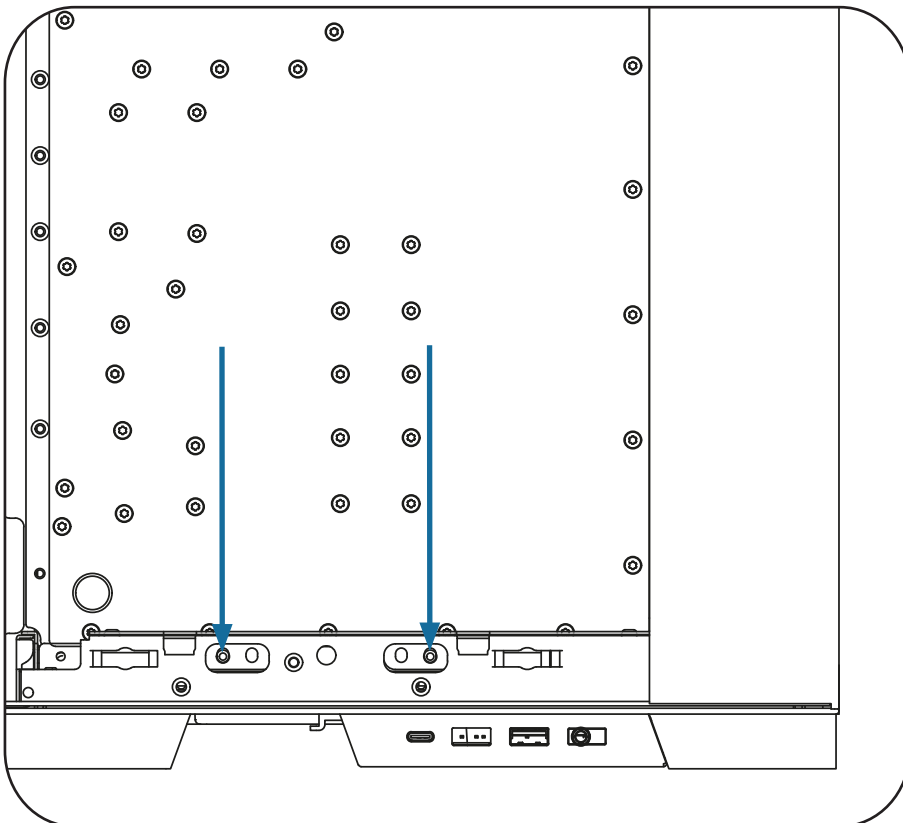
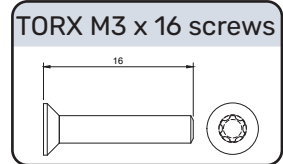


STEP 2

Secure the distribution plate using the saved Side panel screws. The screws shouldn't be over-tightened to avoid cracking the acrylic.

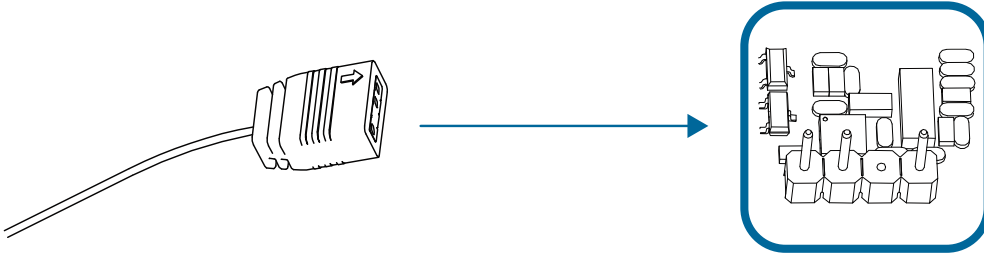


 Do not overtighten the screws to avoid cracks in the acrylic glass.



7. CONNECTING THE D-RGB CABLE

Connect the D-RGB cable to a compatible motherboard (3-Pin ARGB Connector).



8. INSTALLING THE CONNECTIONS

Mount the connections with G1/4 thread and close the remaining connections with stop fittings. Always perform a leak test before applying power to the system components (max. 0,5 bar). Carefully loosen the shut-off valve of the filling connection to allow trapped air to escape.

9. CLEANING & CARE

Clean the distro plate only with microfiber cloths to avoid scratches in the material. Do not use cleaners containing alcohol to avoid stress cracks in the material. Before installing the distro plate, it is recommended to rinse the distro plate to remove any last residues. Acrylic paints can leave residues.

10. SUPPORT AND SERVICE

Contact

Stealkey Customs

Mail: support@stealkeycustoms.de

Instagram: <https://www.instagram.com/stealkeycustoms>

Website: <https://www.stealkeycustoms.de>

FAQ: <https://www.stealkeycustoms.de/pages/faq>

