

HIGH QUALITY
MADE IN GERMANY



Table of Contents

1. Packaging content warning/accessories	3
2. Installing D5 and DDC pump	4
3. Configuration with 2 radiators	6
4. Flow Diagram	7
5. Installing the Distrobution Plate	8
6. Installing the Distrobution Plate with supplied mounts	9
7. Dimensions in millimeter (mm)	10
8. Connecting the D-RGB LED strip	11
9. Installing the connections	11
10. Cleaning & care	11
11. Support and service	12

1. PACKAGING CONTENT WARNING

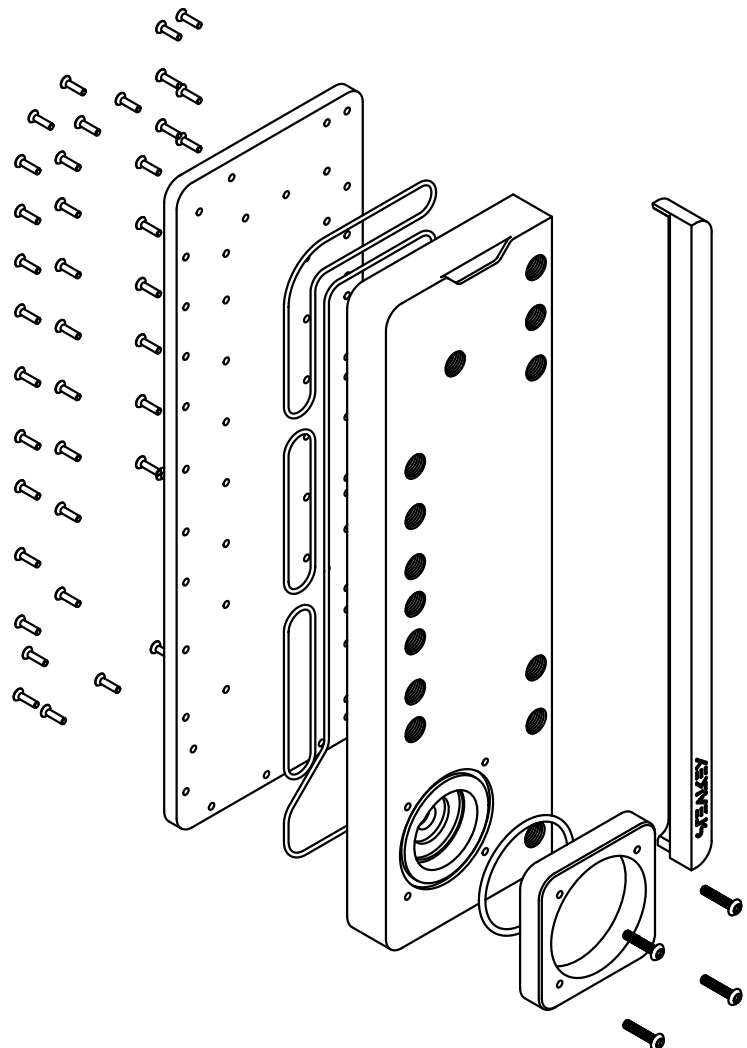
This product is intended for advanced users. Improper installation may result in damage to your equipment. While every effort has been made to provide the most comprehensive information possible, Stealkey Customs assumes no liability, express or implied, for damage to your components resulting from the use of Stealkey Customs cooling products, whether due to errors or omissions on our part in the instructions below, or due to errors or defects in Stealkey Customs cooling products. Do not disassemble the water block. Doing so will void the warranty. Turn off your system and discharge your body's static charge before proceeding with the installation. If you do not feel comfortable performing the installation procedure, contact a qualified computer technician.

Mounting screws

12x M3 x 6 mm

RGB cable

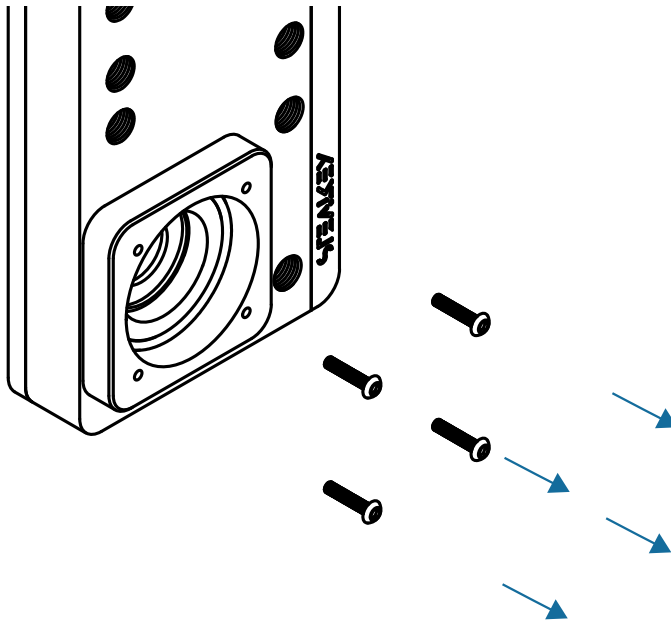
 1x D-RGB 3pin
(500mm cable)

UNI 360D included pump seal and D5 ring


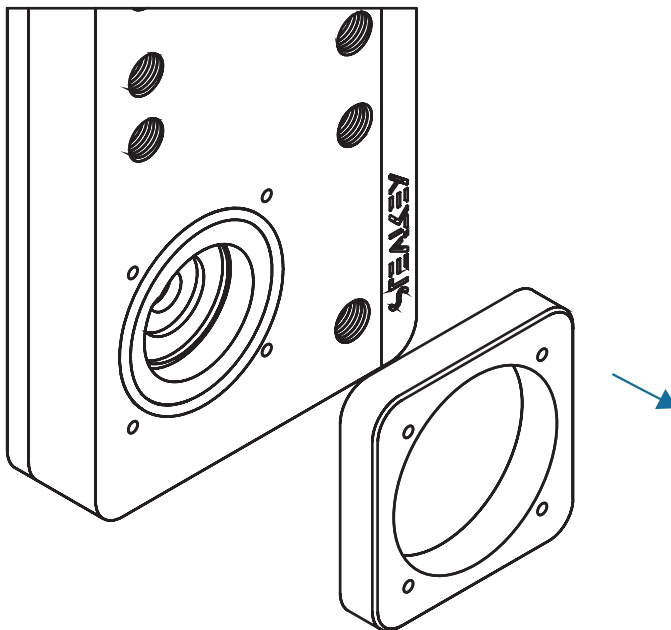


2. Installing D5 and DDC pump

Step 1: Remove the 4 x M4 x 20 mm screws (3mm hexagon socket). Set the screws aside as they will be needed to secure the pump.

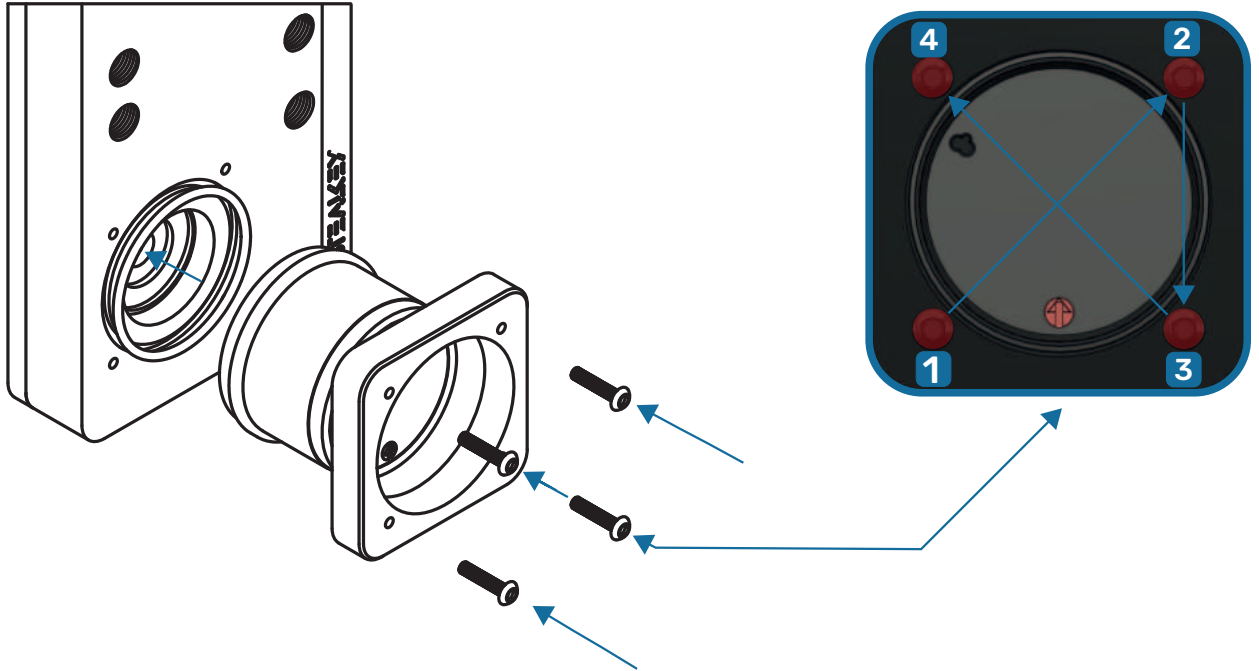


Step 2: Now remove the D5 ring.

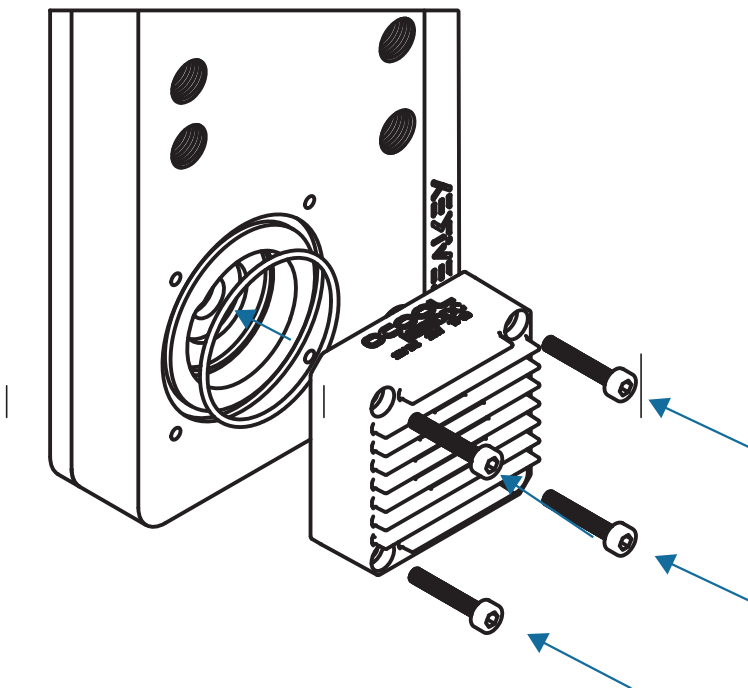




Step 3: Installing the D5 pump. Place the D5 ring over the pump and place it on the adapter. Tighten the screws with 2.5 Nm. Handle with care when tightening; acrylic can crack.



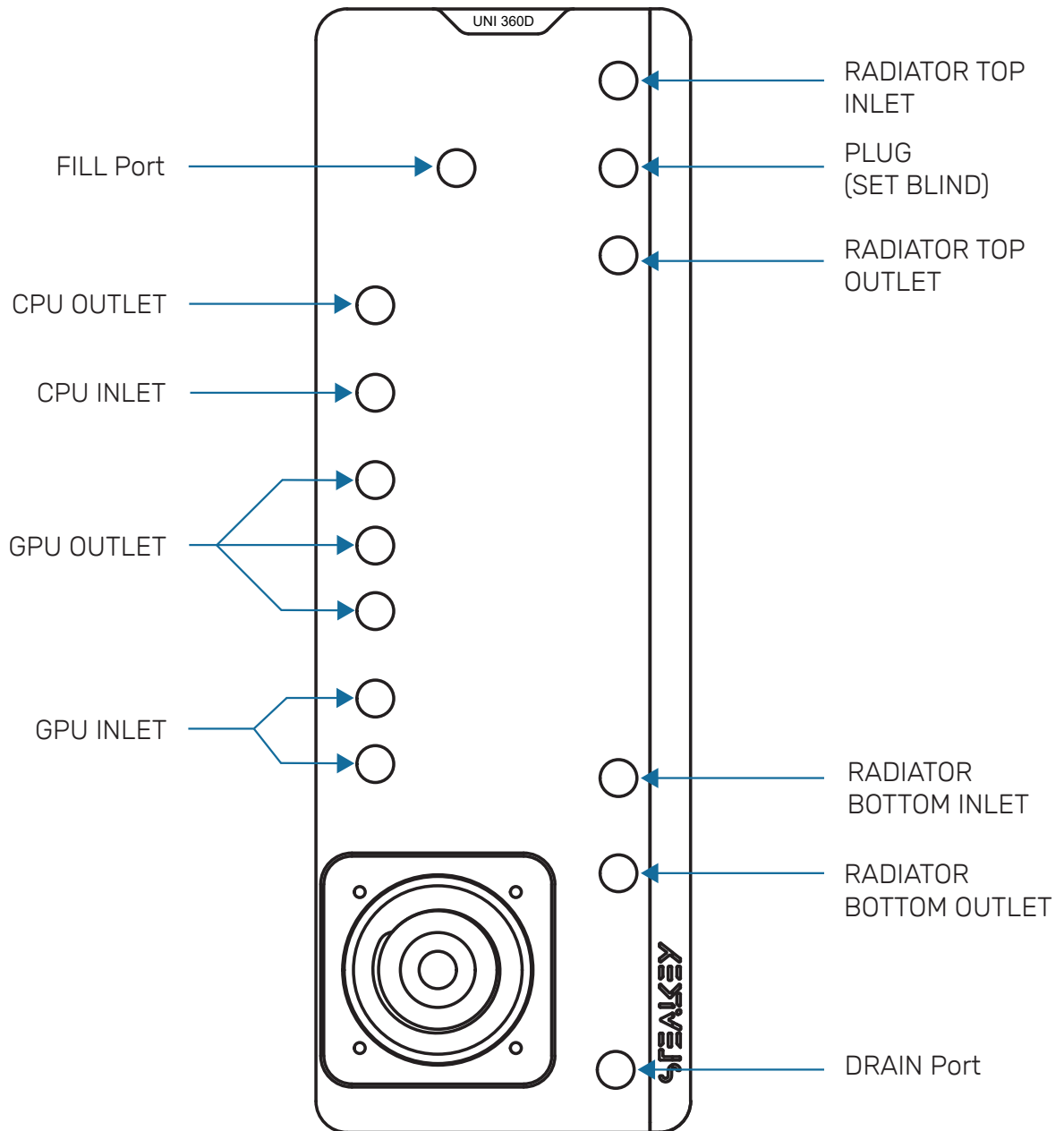
Step 3.1: Installing the DDC pump. Do not use the D5 ring. Note that the D5 o-ring is not suitable for the DDC. Make sure that the o-ring for the DDC pump is supplied. Place the pump directly on the adapter. Use M4 x 25 mm socket head cap screws. Tighten the screws with 2.5 Nm. Tighten the screws crosswise, in the same way as for the D5 pump. (to be seen on the picture - Step 3)





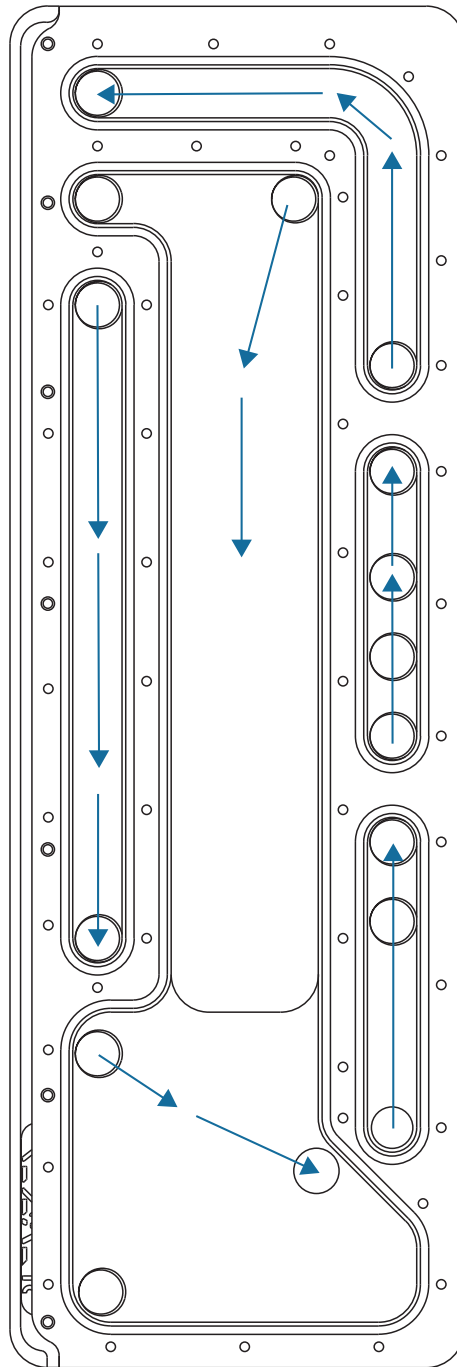
3. PLANNING THE WATER CIRCUIT FOR 2 RADIATORS

A configuration with 2 radiators is shown here. Close any unused ports with the provided plugs.





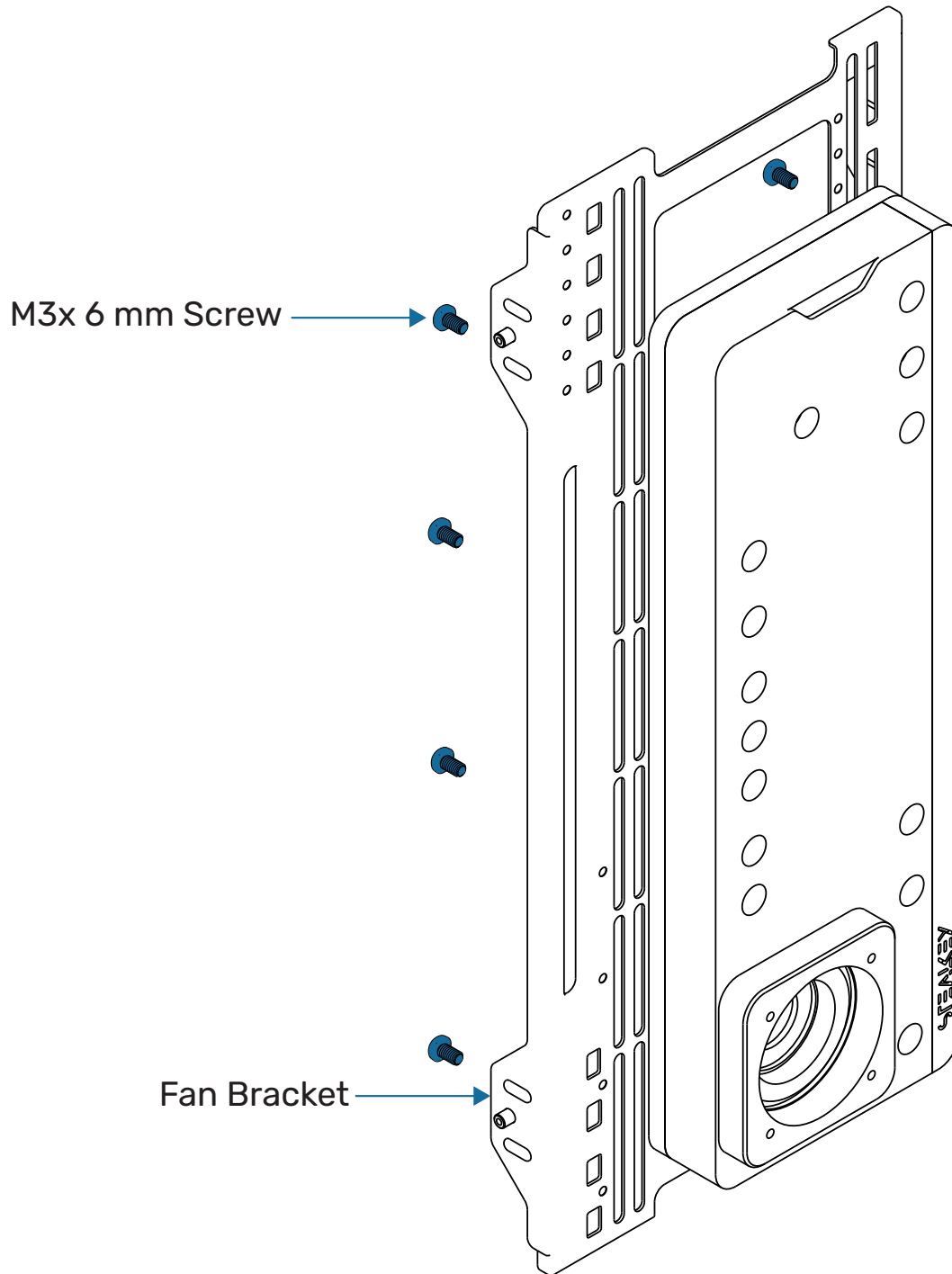
4. Flow Diagram (Back View)





5. INSTALLING THE DISTRIBUTION PLATE

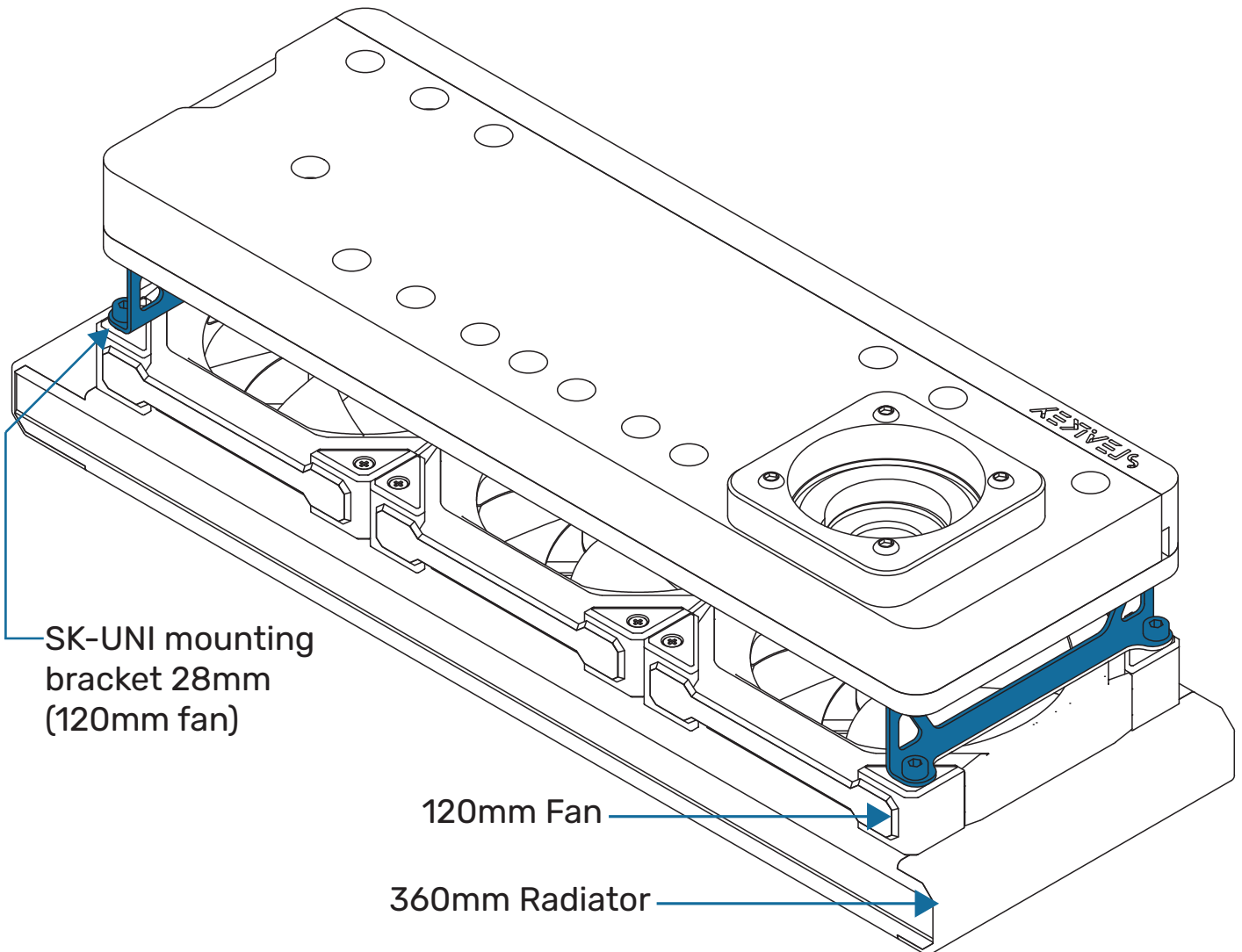
With the included M3 screws, you can mount the distro plate directly to any standard 360 mm fan bracket.





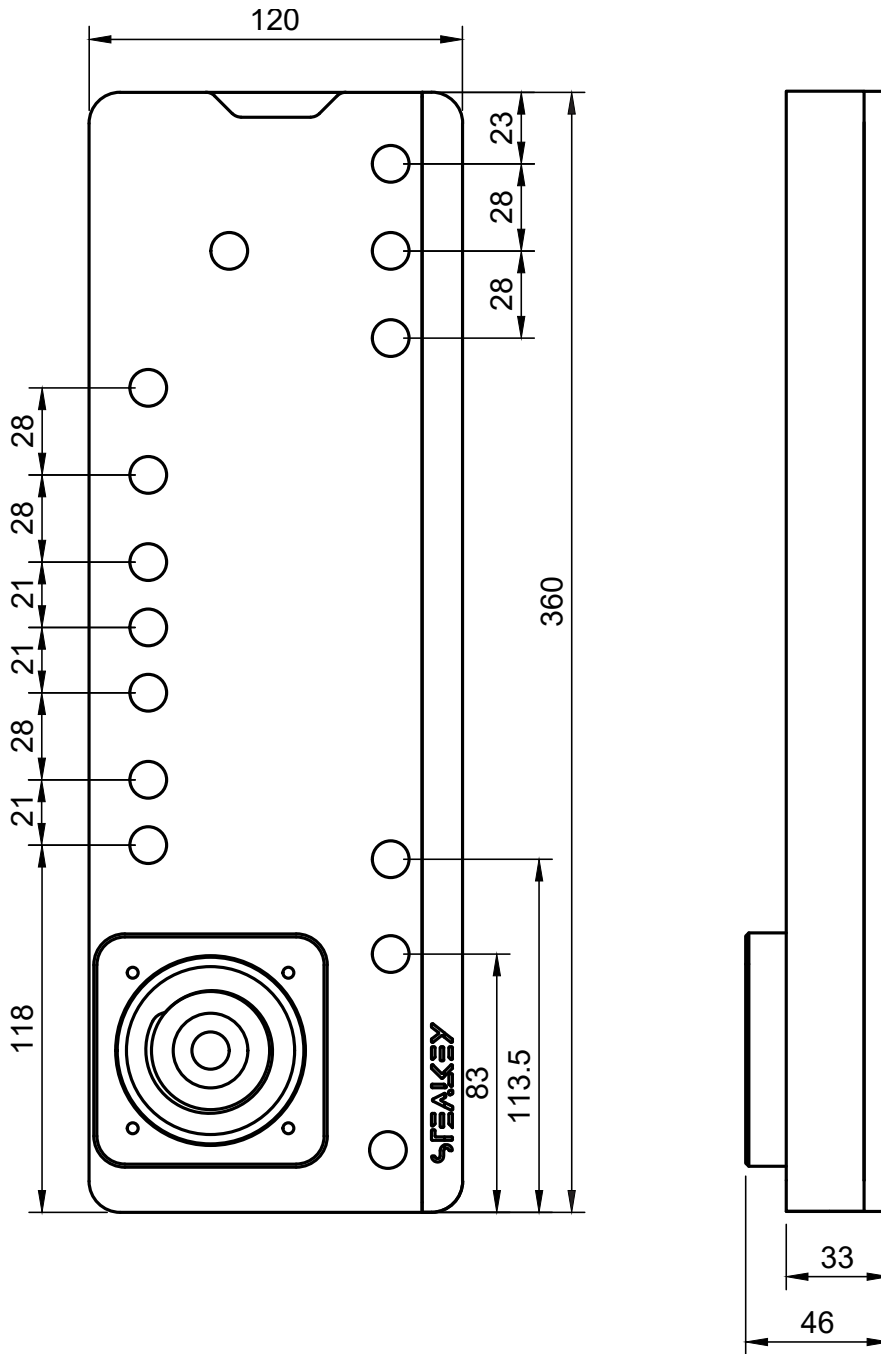
6. INSTALLING THE DISTRIBUTION PLATE WITH SUPPLIED MOUNTS

An installation example with the SK-UNI Mounting Bracket 28 mm.
Not included in the scope of delivery.



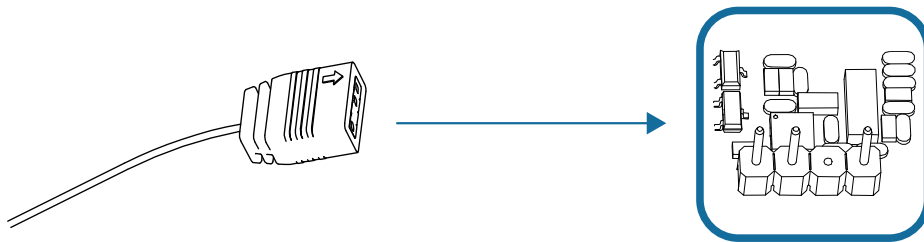


7. Dimensions in millimeter (mm)



8. CONNECTING THE D-RGB CABLE

Connect the D-RGB cable to a compatible motherboard (3-Pin ARGB Connector).



9. INSTALLING THE CONNECTIONS

Mount the connections with G1/4 thread and close the remaining connections with sealing plugs. Always perform a leak test before applying power to the system components (max. 0.5 bar).

Align the screw positions.

Carefully loosen the shut-off valve of the filling connection to allow trapped air to escape.

10. CLEANING & CARE

Clean the manifold plate only with microfiber cloths to avoid scratches in the material.- Do not use cleaners containing alcohol to avoid stress cracks in the material. Before installing the manifold plate, it is recommended to rinse the manifold plate to remove any last residues. Acrylic paints can leave residues.



11. Support and Service

Contact

Stealkey Customs

Mail: support@stealkeycustoms.de

Instagram: <https://www.instagram.com/stealkeycustoms>

Website: <https://www.stealkeycustoms.de>

FAQ: <https://www.stealkeycustoms.de/pages/faq>